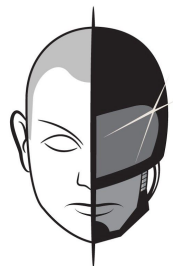
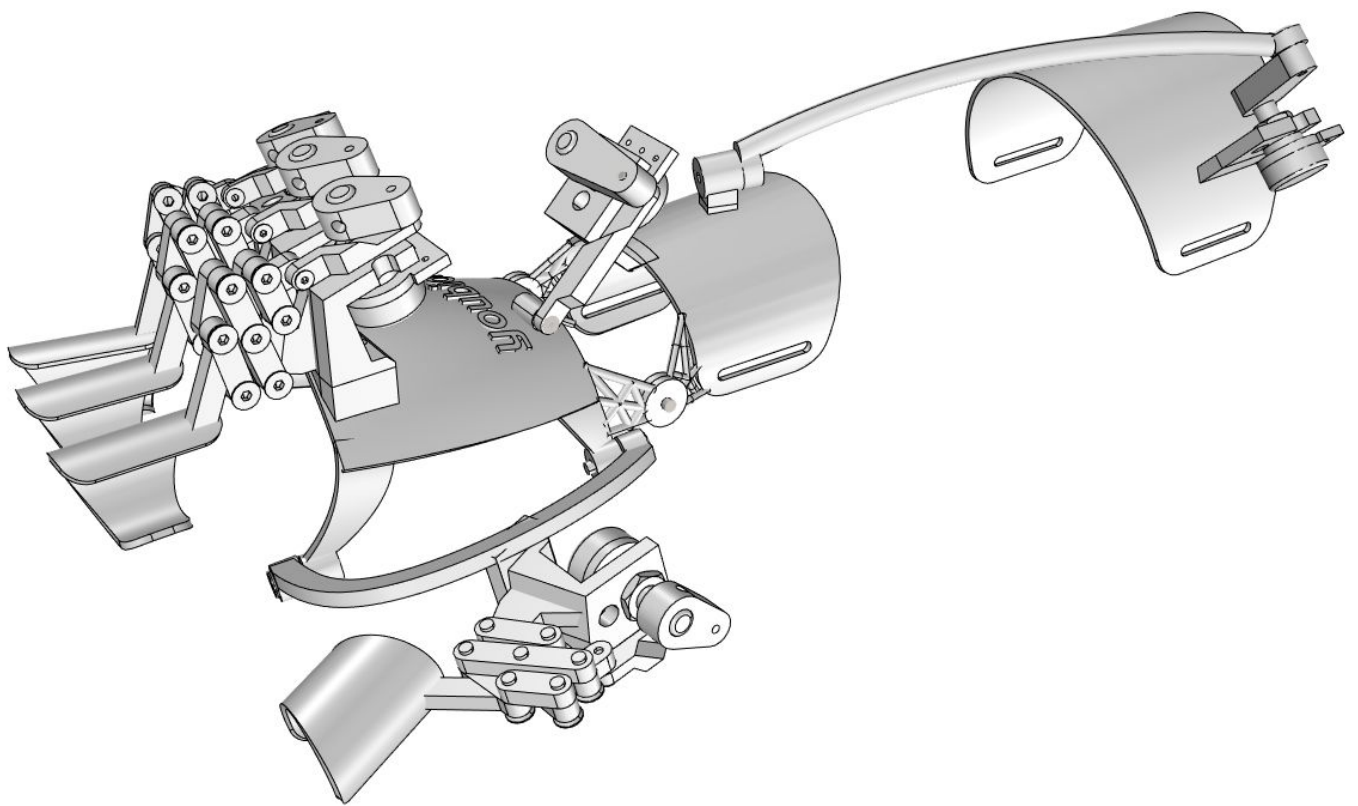
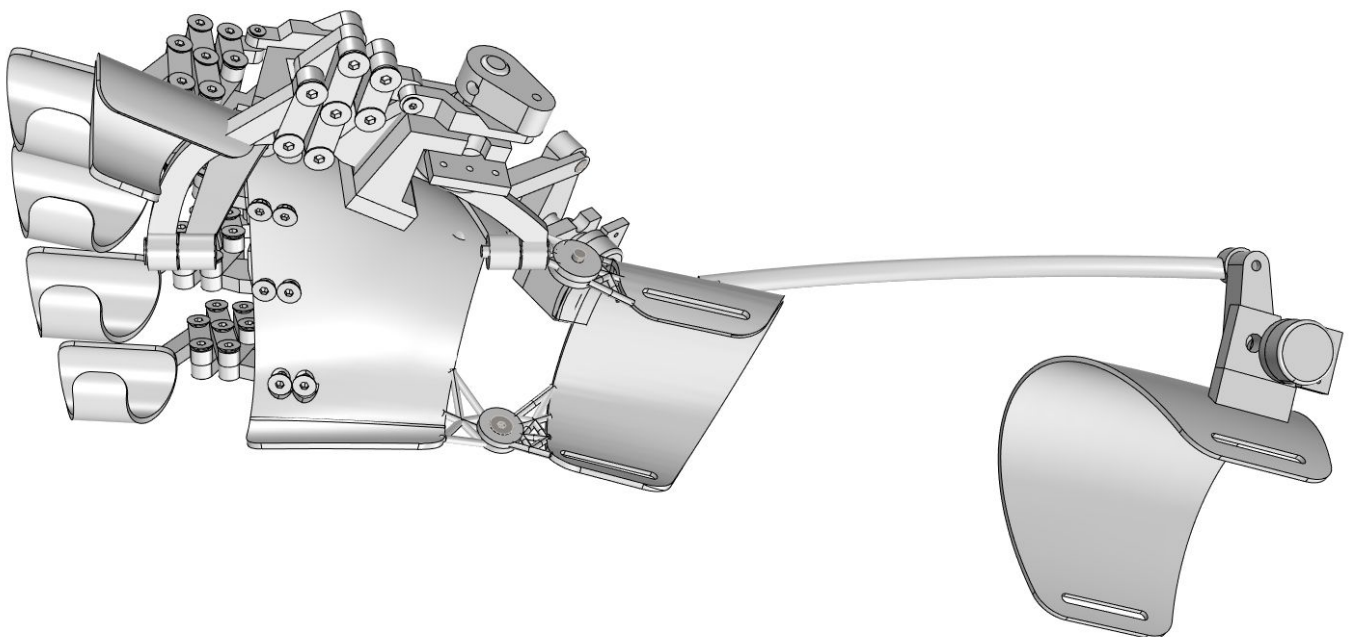
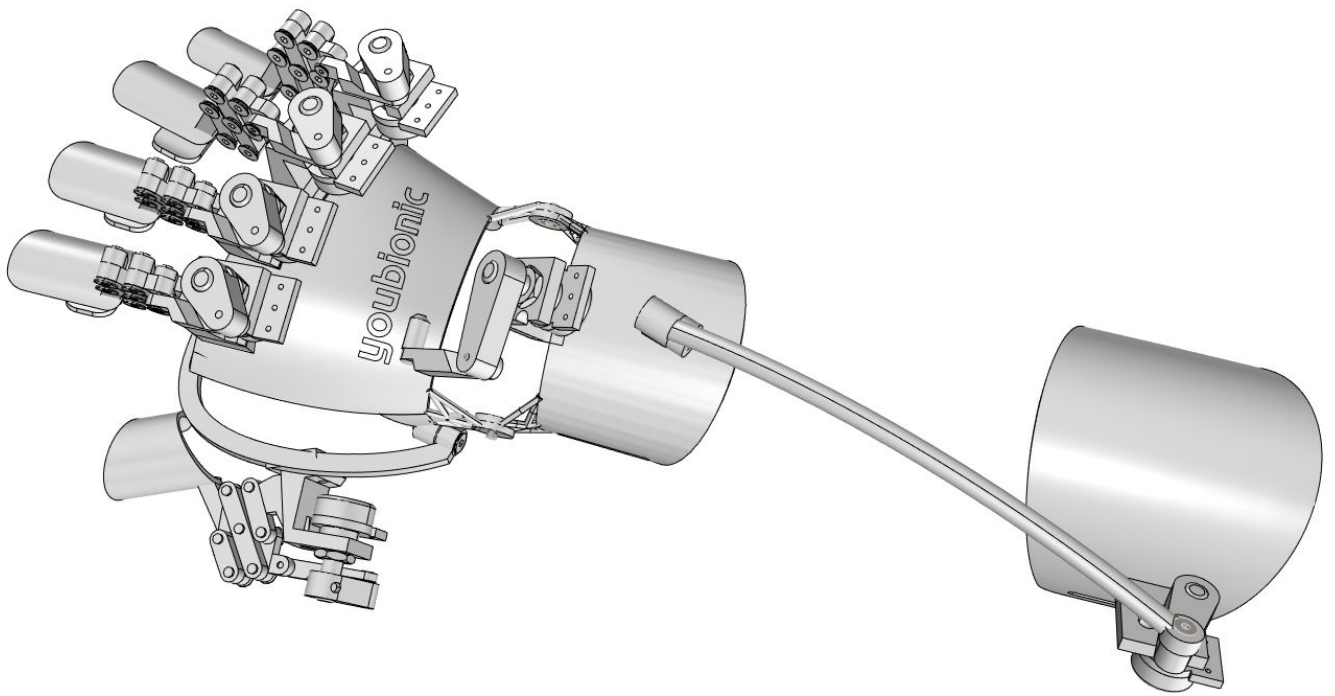
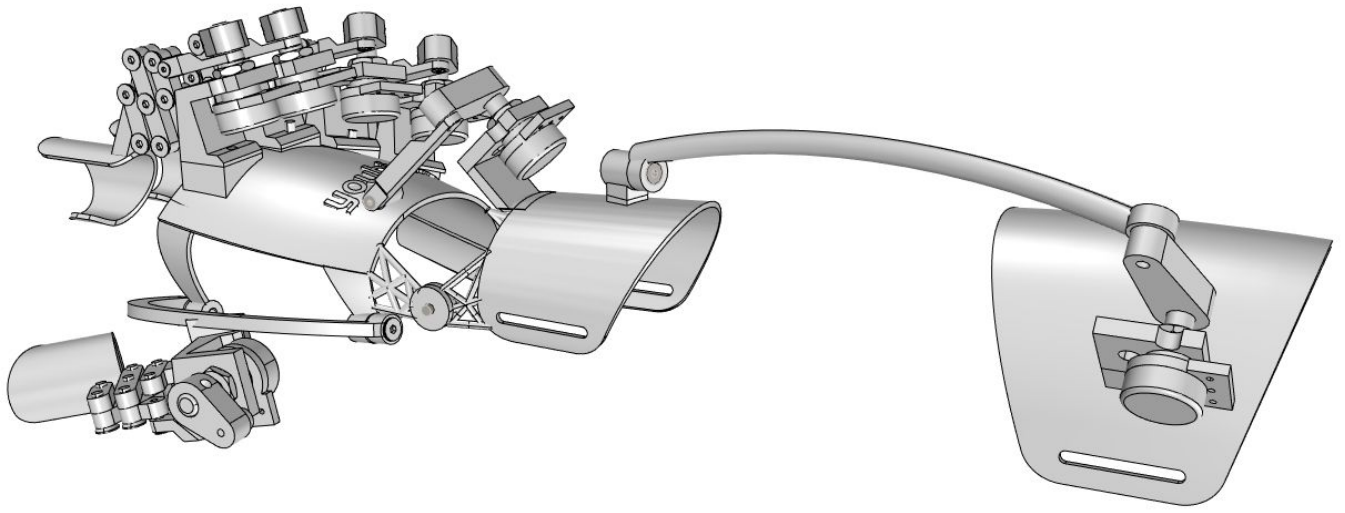


# YOUBIONIC EXOFOREARM HANDBOOK



**youbionic**

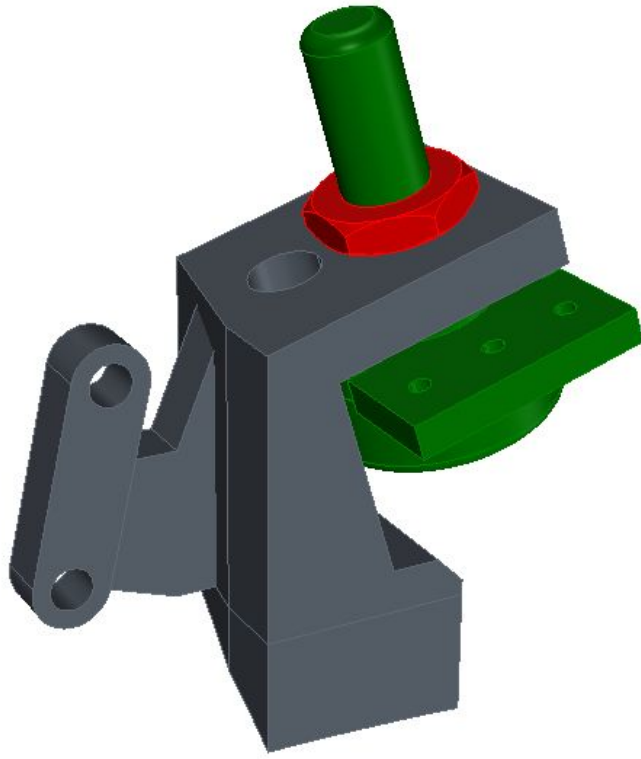


# ASSEMBLY INSTRUCTIONS

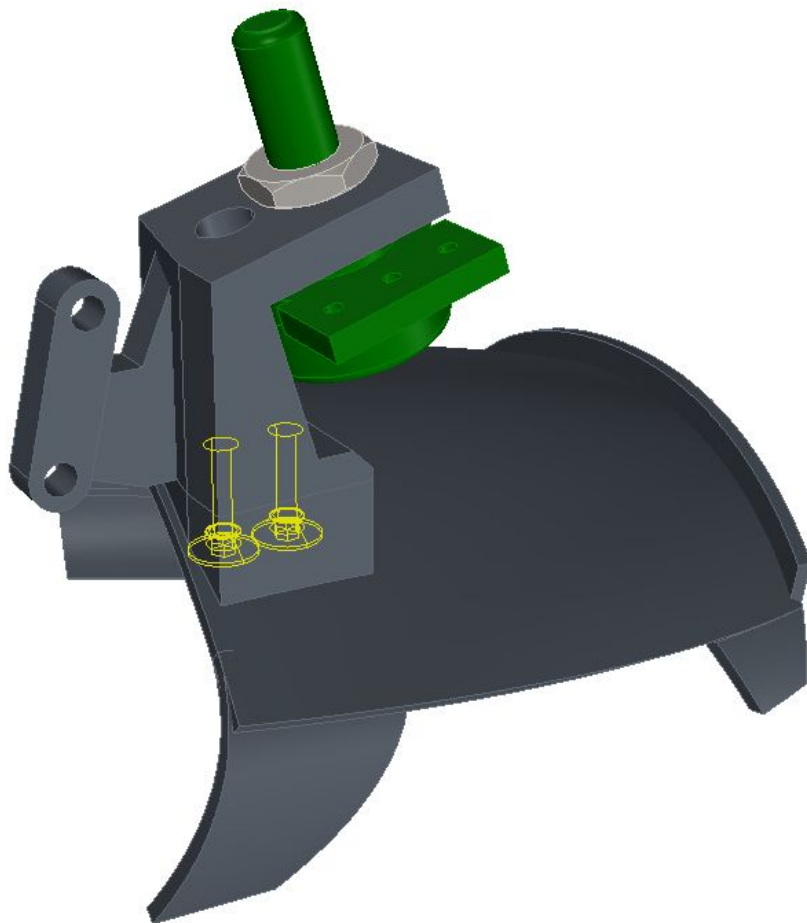
N°1 ExoForearm 3d printing Parts

N°7 Potentiometers B10K 10K Ohm

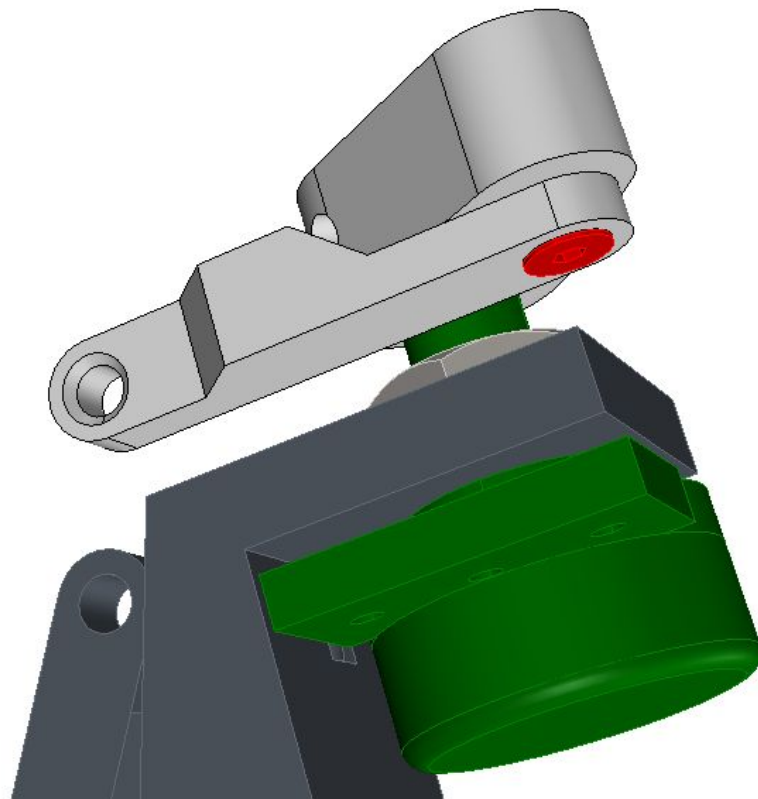
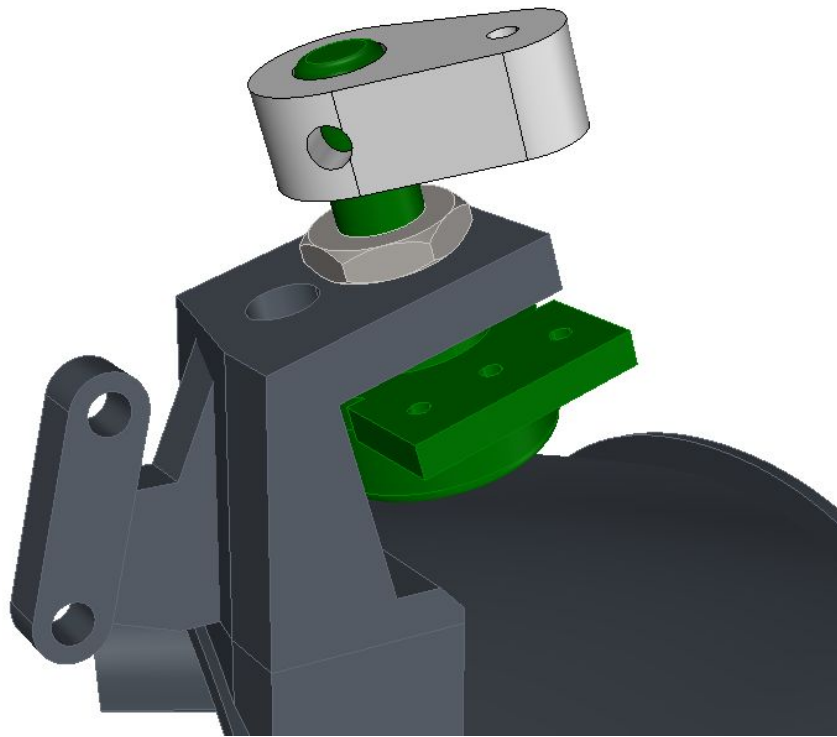
During the Assembly don't screw the screws all the way down, let the pieces rotate (make sure that the pieces can rotate, but leave a slight friction).



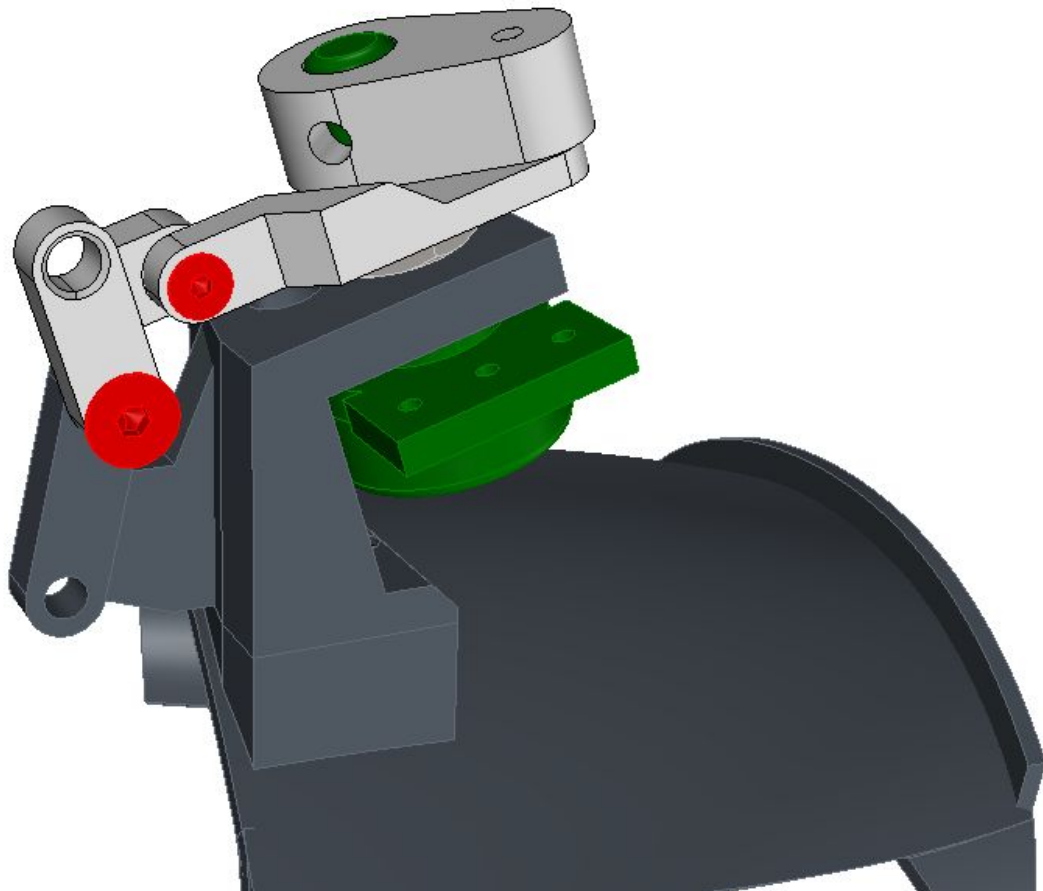
N°1 Potentiometer



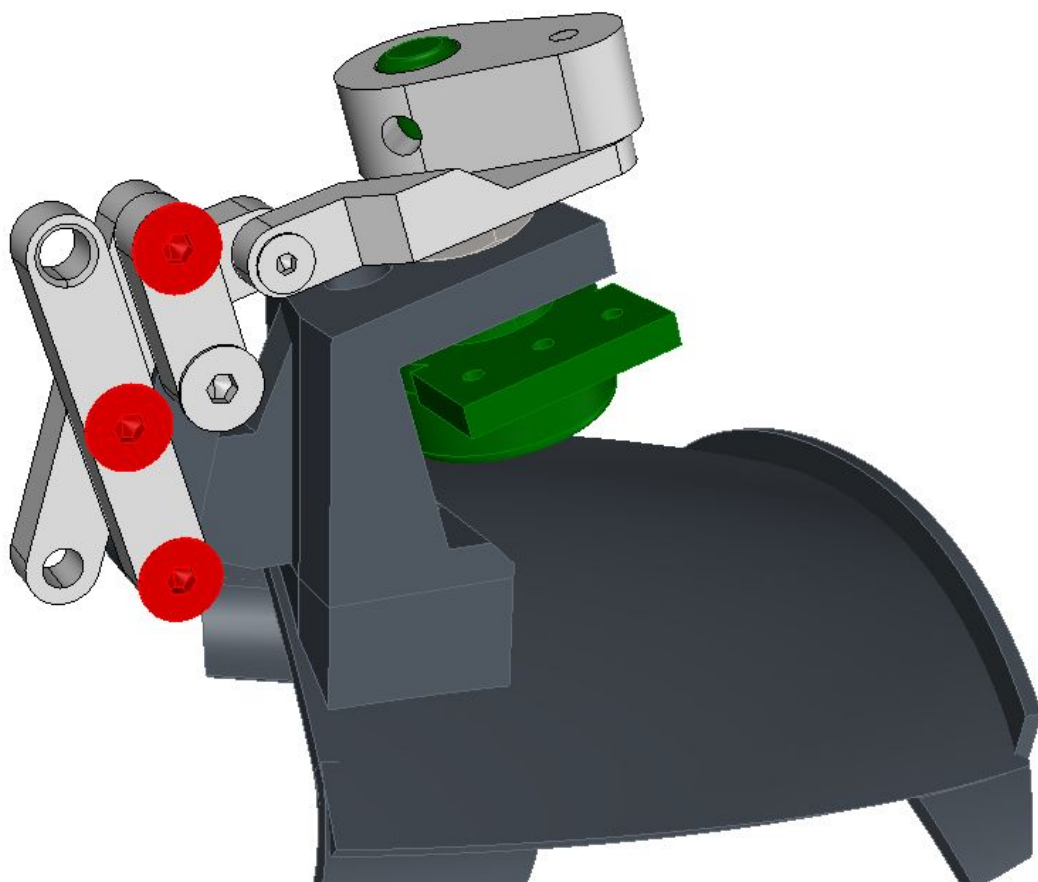
N°2 Screws M3x10



N°1 Screws M2x10

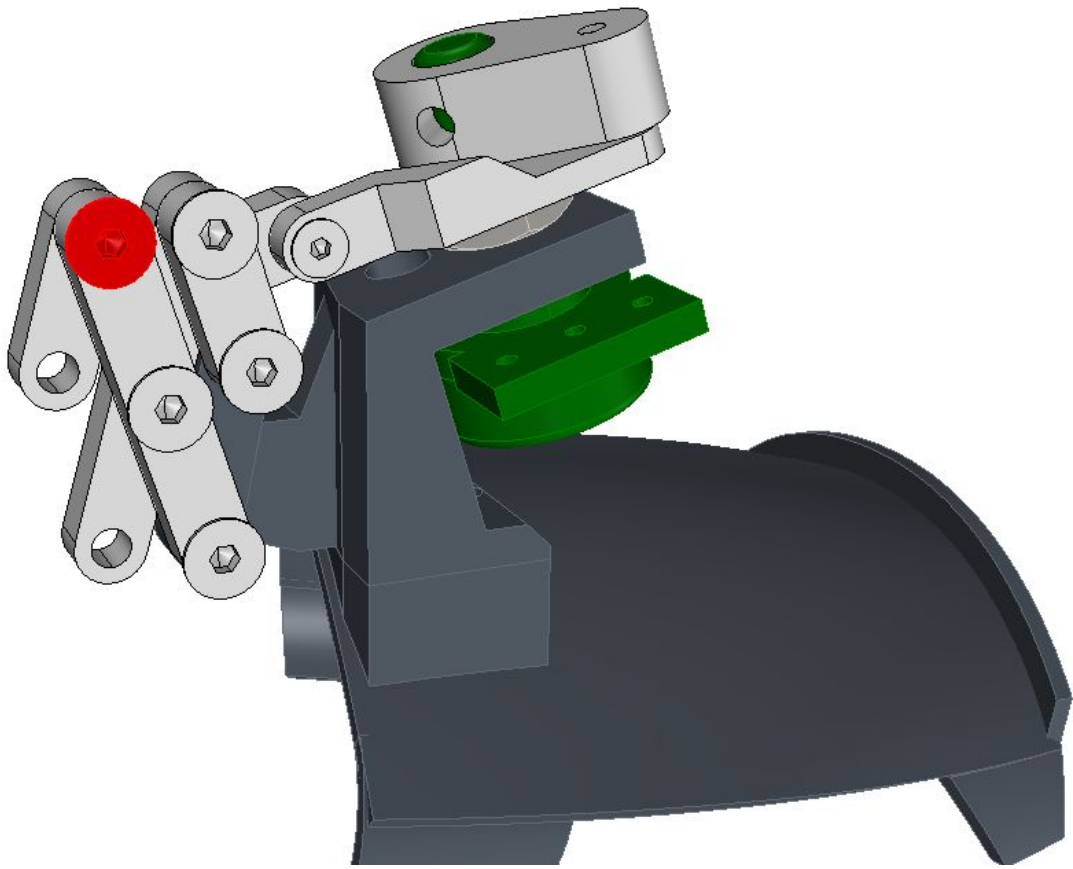


N°1 Screws M2x8  
N°1 Screws M3x10

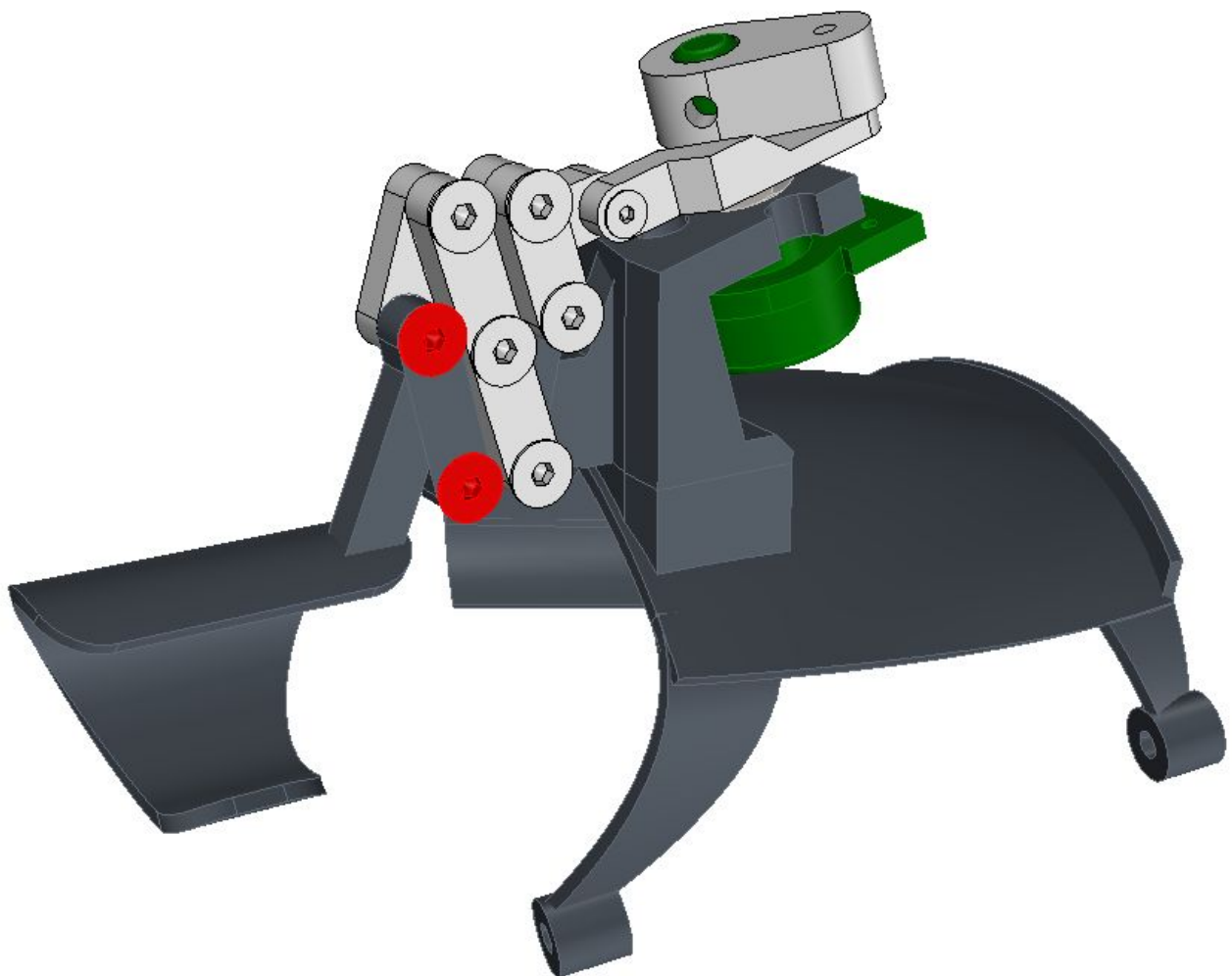


N°3 Screws M3x10

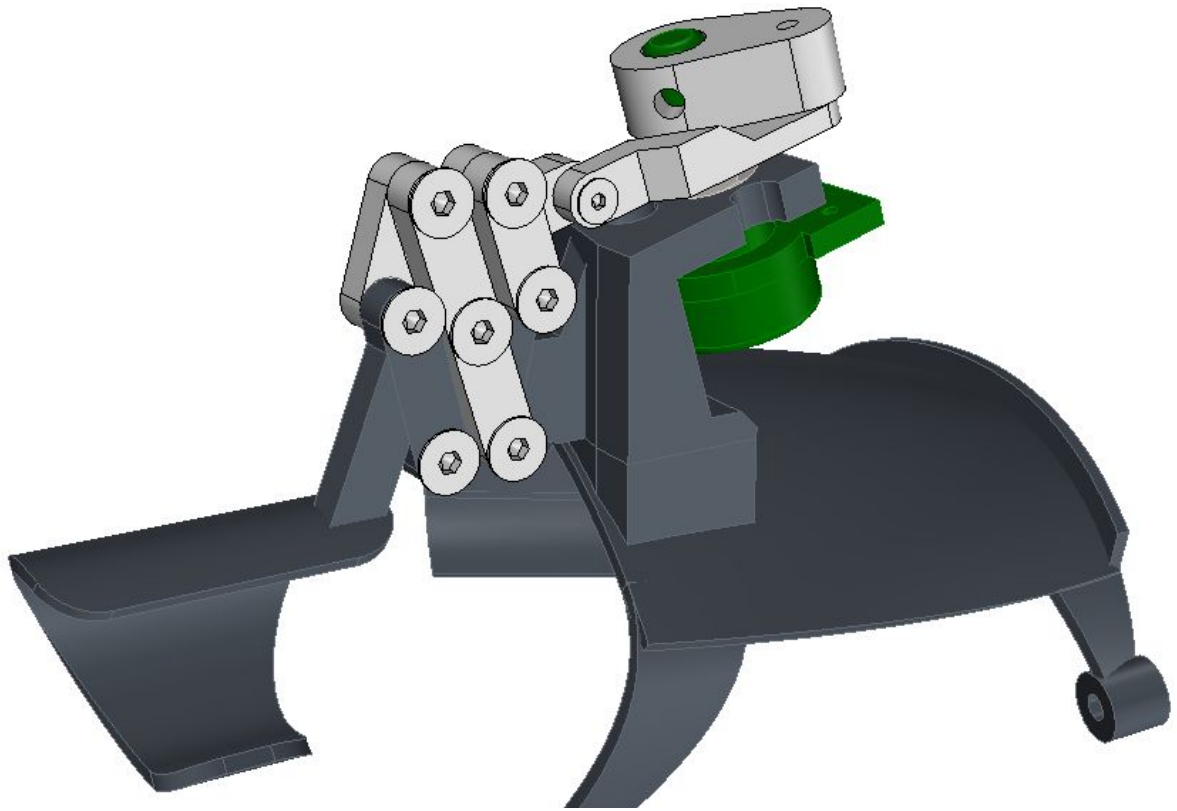




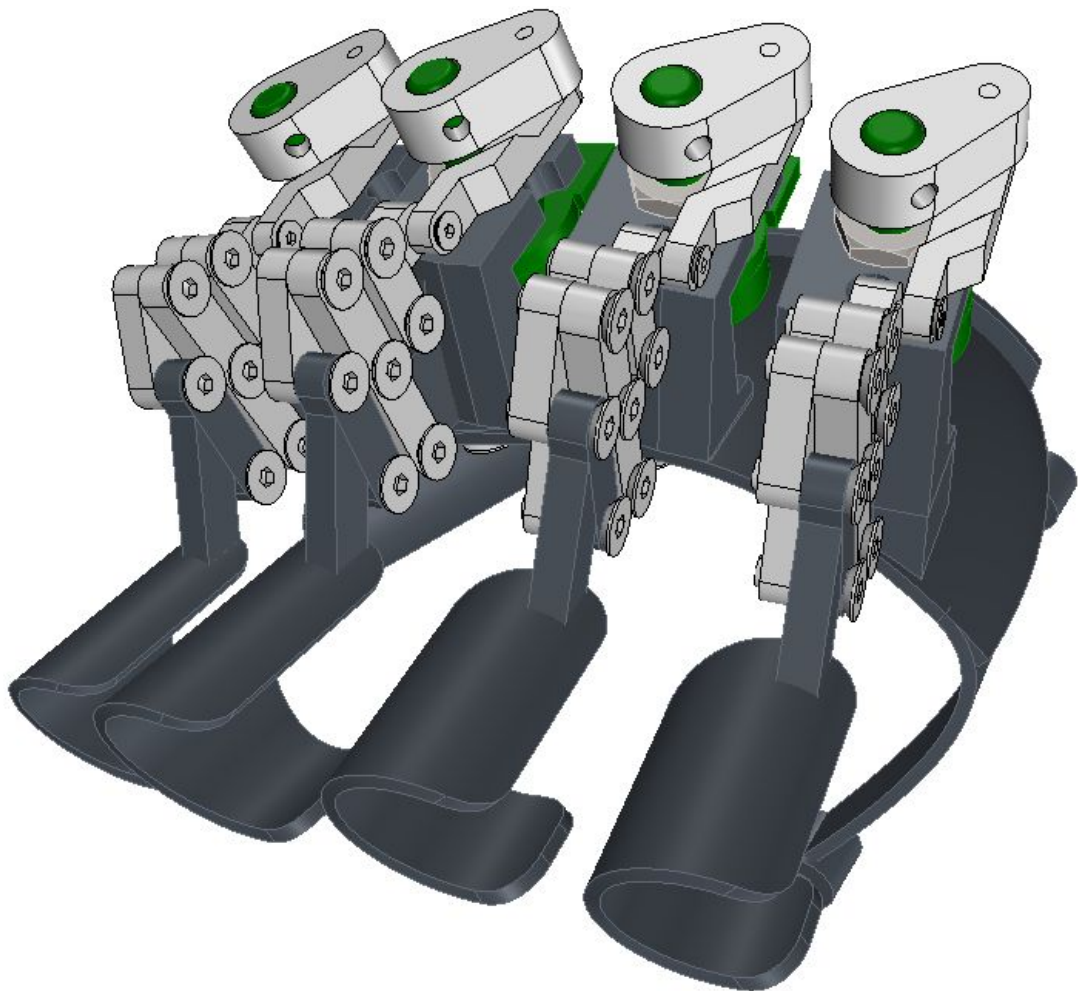
N°1 Screws M3x10



N°2 Screws M3x10

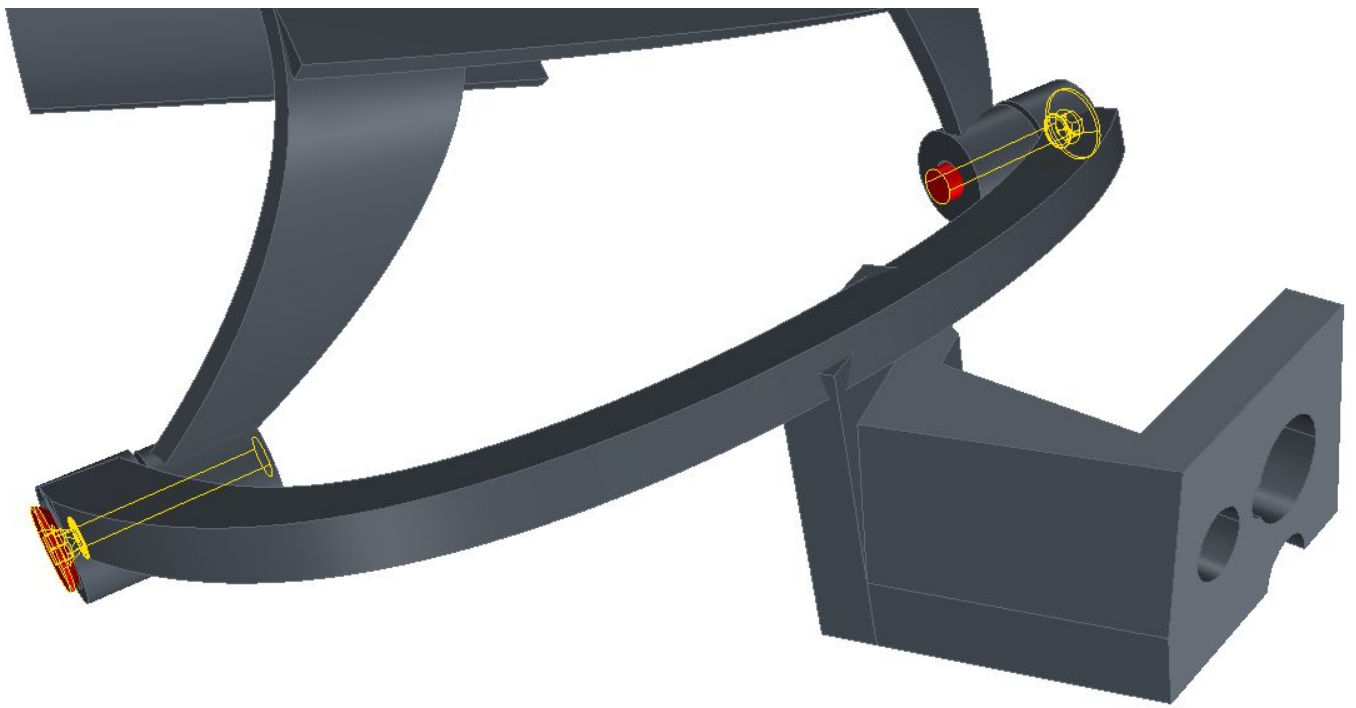


Index Complete

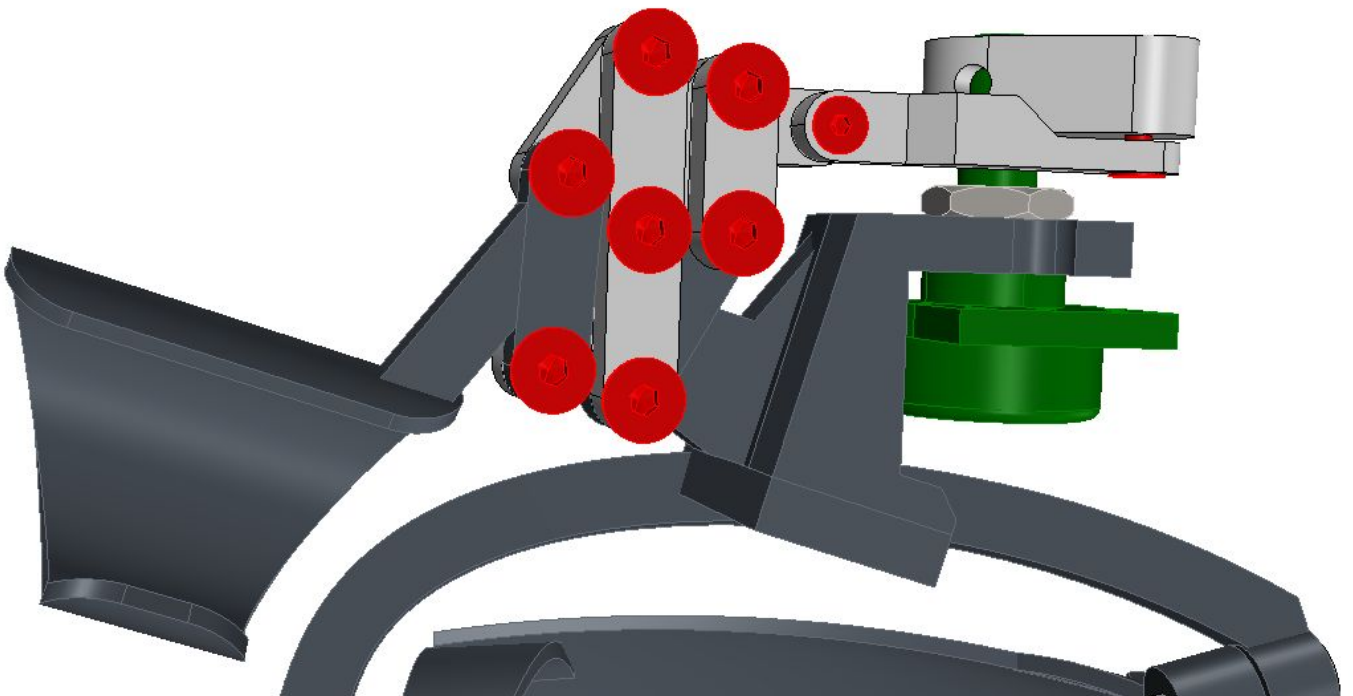


Repeat in the same way for middle, ring and little fingers



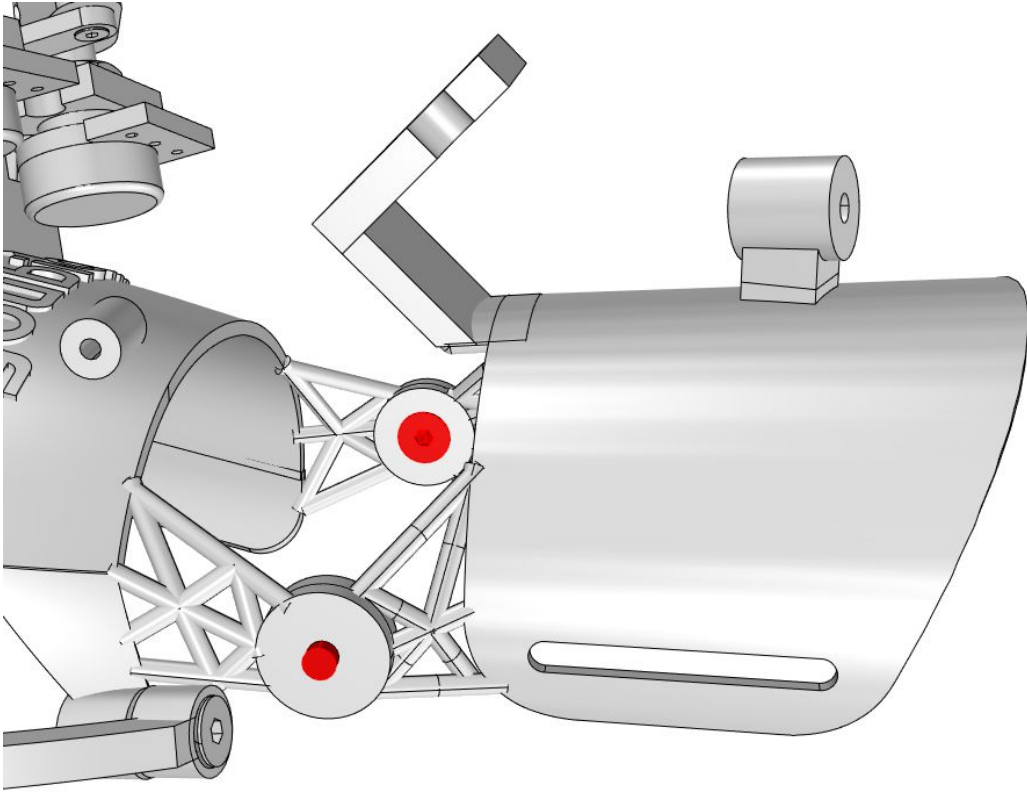


N°2 Screws M3x15

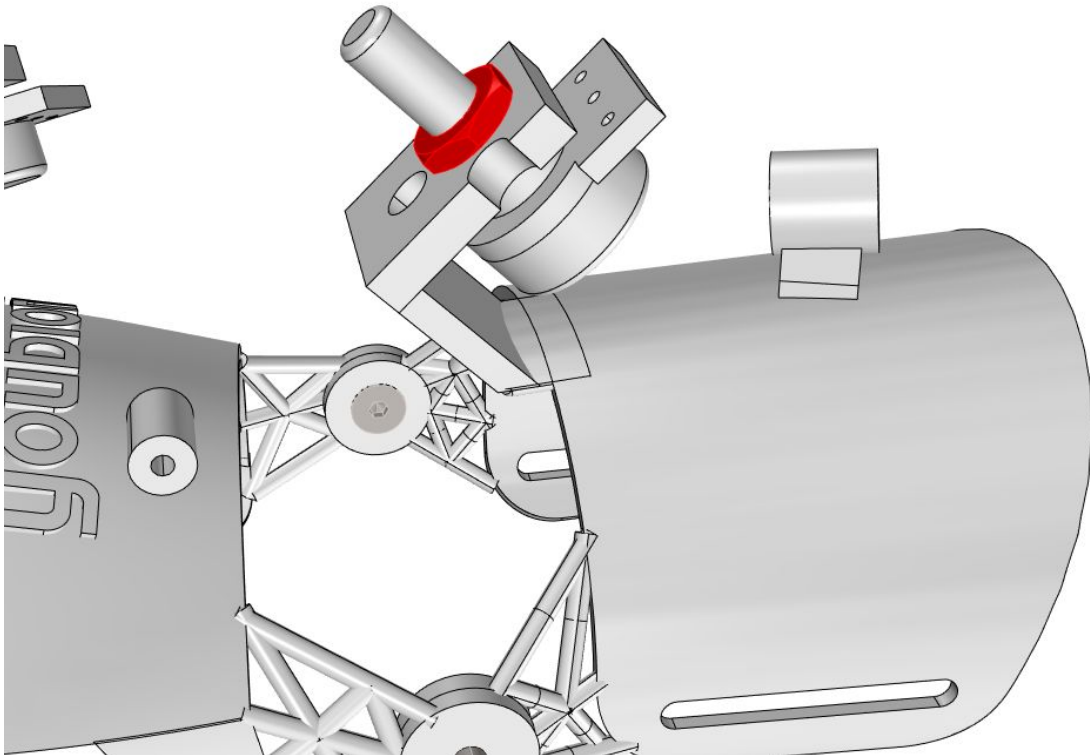


Repeat in assembly for the thumb

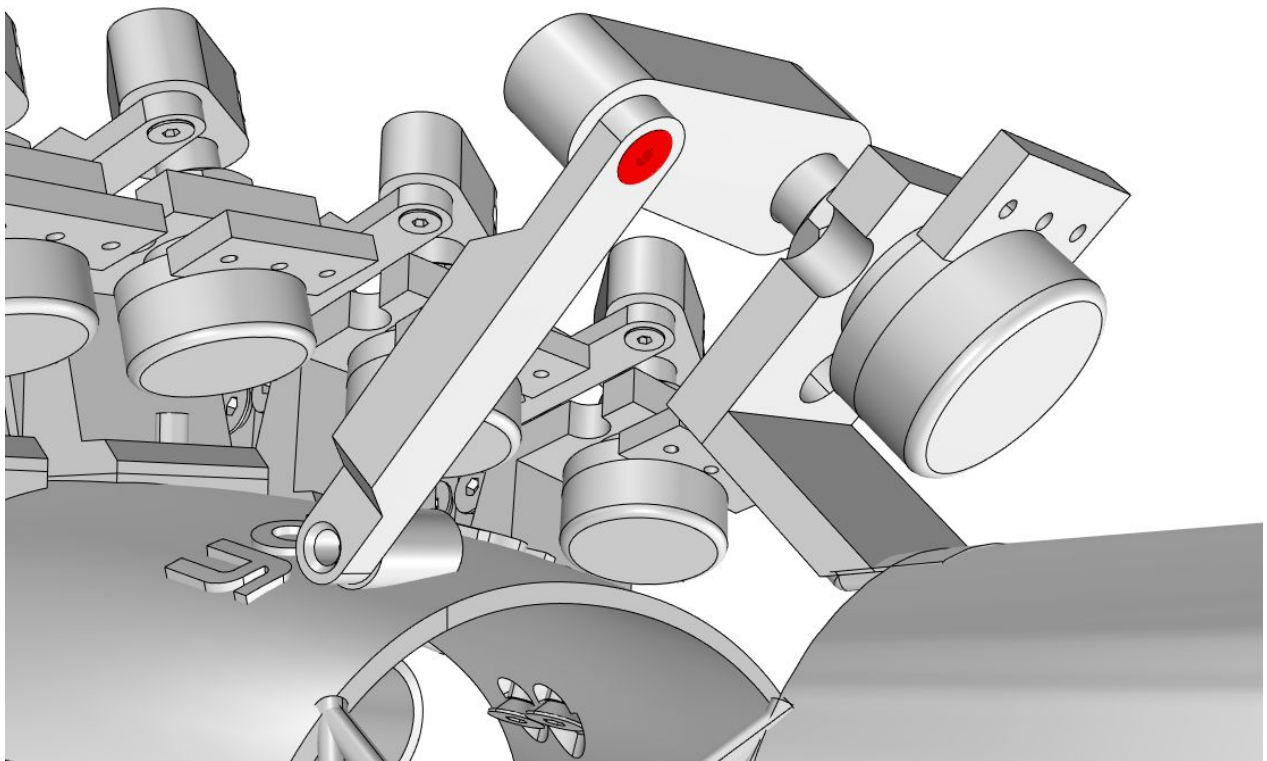
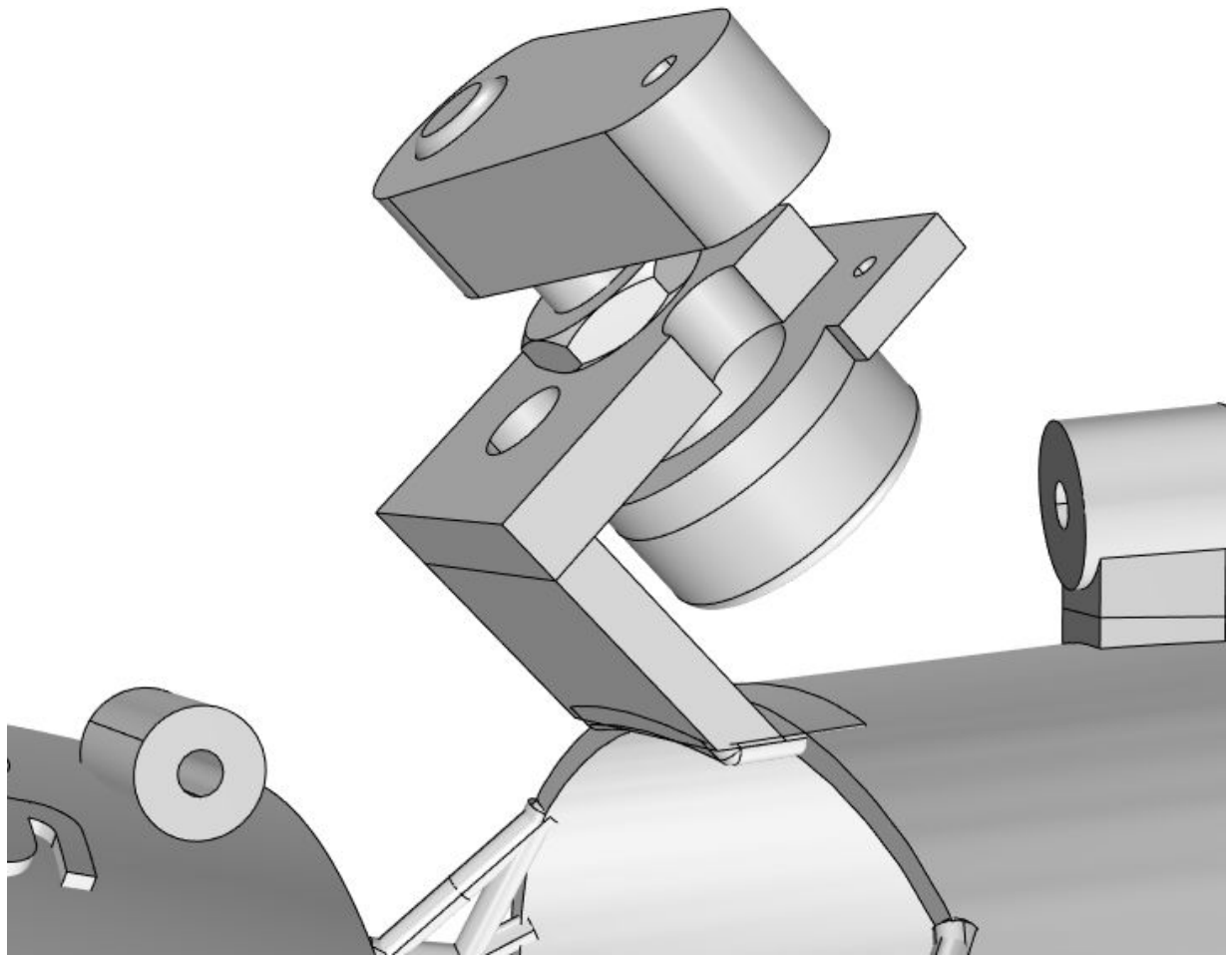
# WRIST



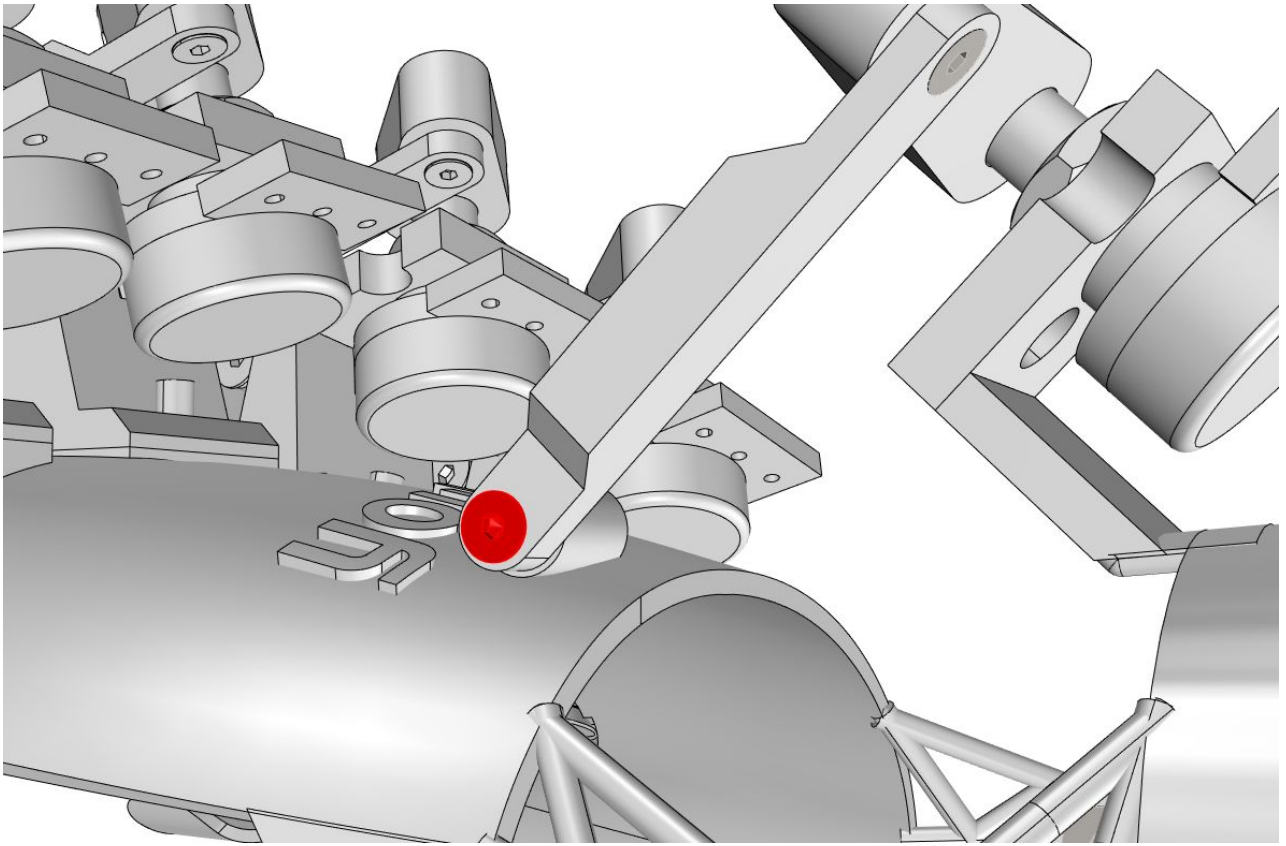
N°2 Screws M3x6



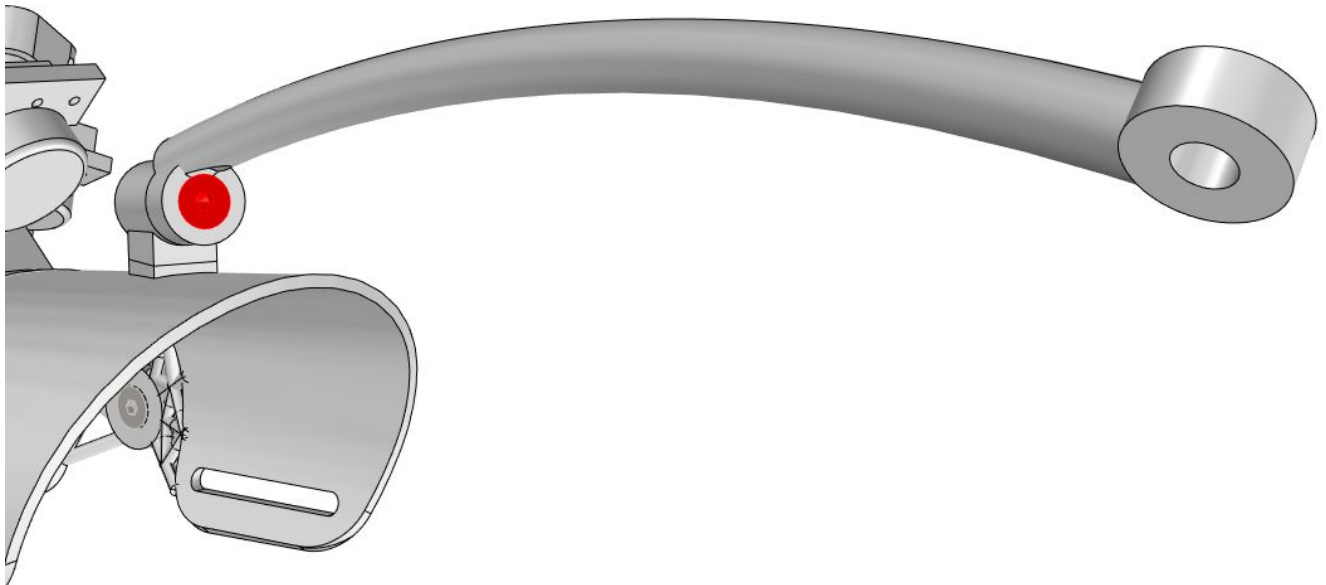
N°1 Potentiometer



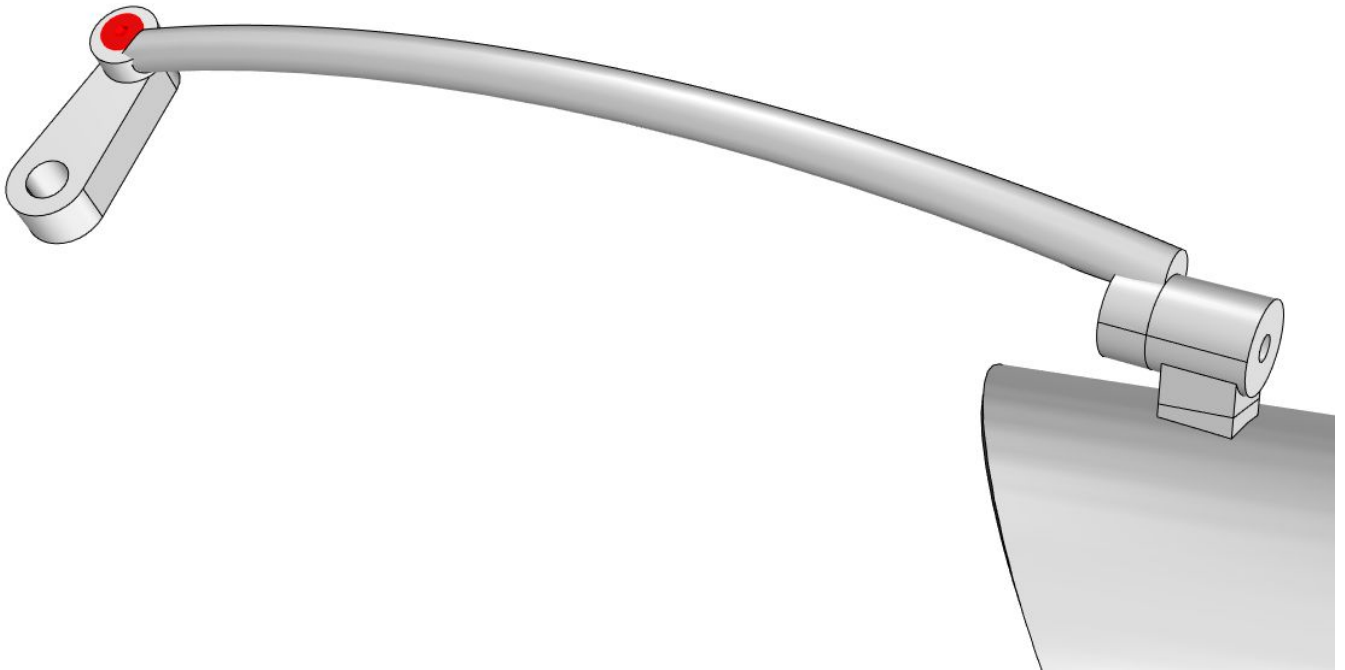
N°1 Screws M2x10



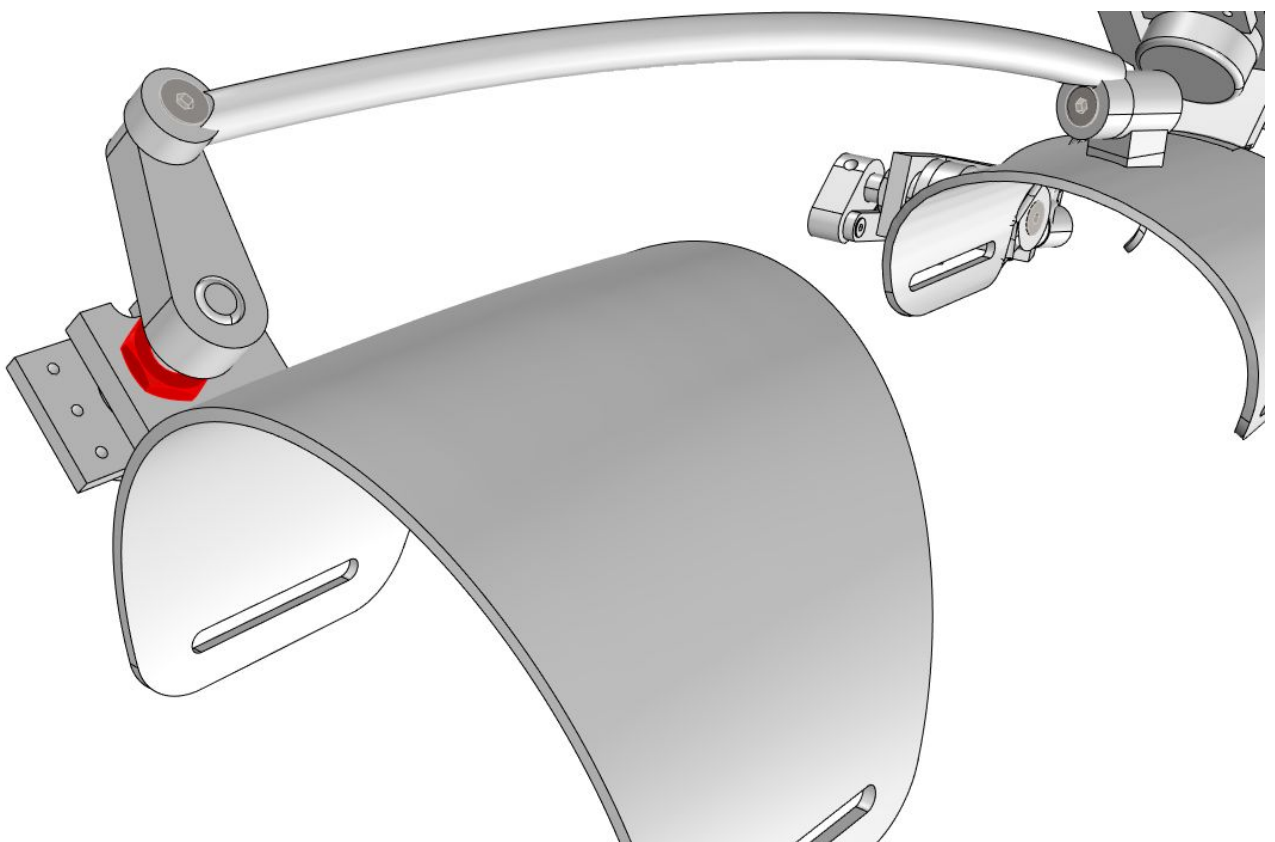
N°1 Screws M3x8



N°1 Screws M3x8

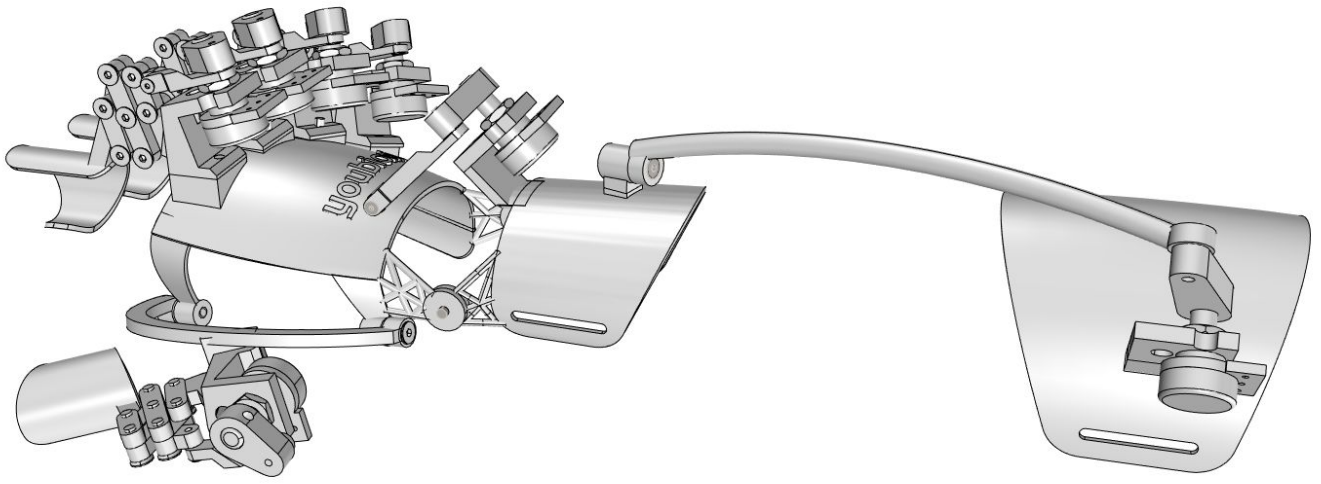


N°1 Screws M3x8



N°1 Potentiometer





The ExoForearm is Complete