

YOUBIONIC HAND HANDBOOK



youbionic

ASSEMBLY INSTRUCTIONS

N°1 Youbionic Hand 3d printing Parts

N°6 Servomotors SG90

N°1 Arduino Nano

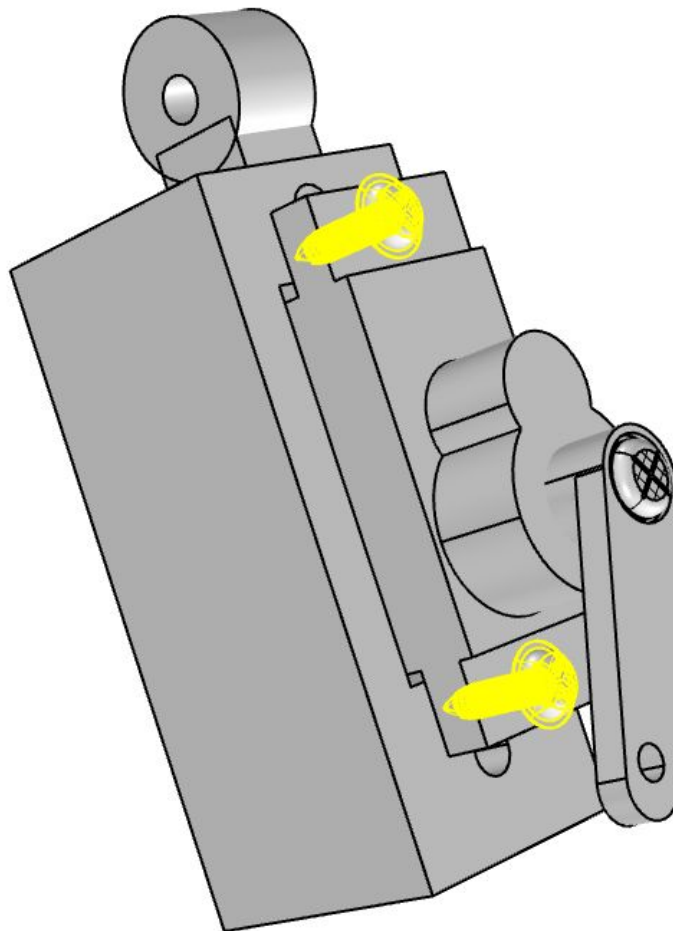
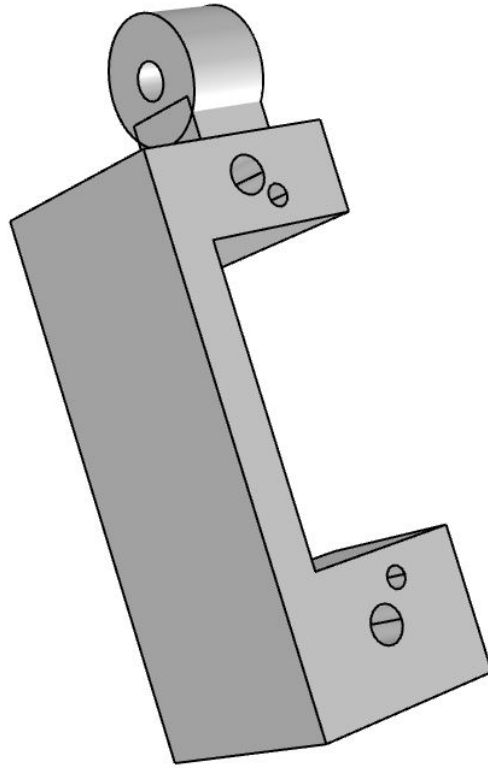
N°1 PCA9685 Servo Driver

N°1 Micro USB Port

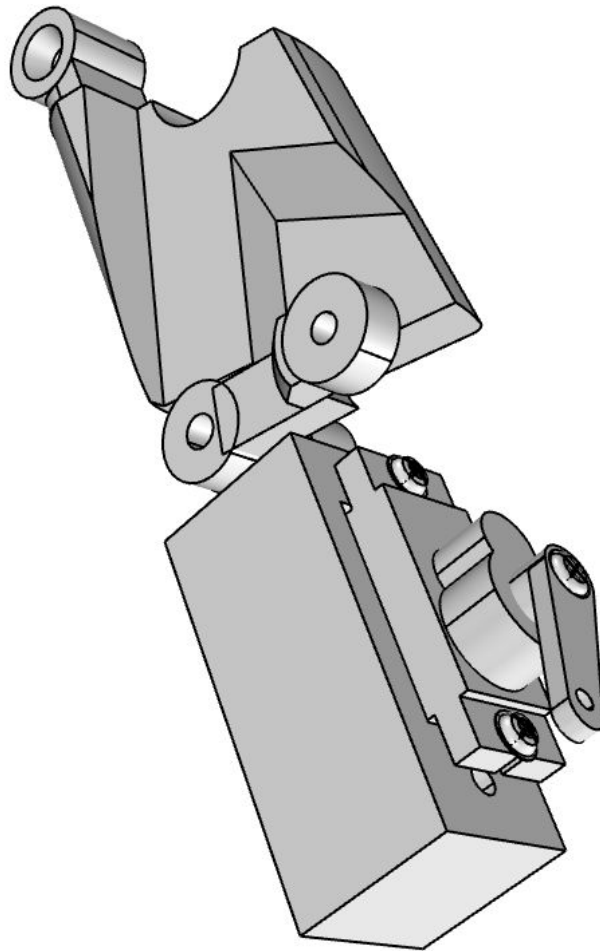
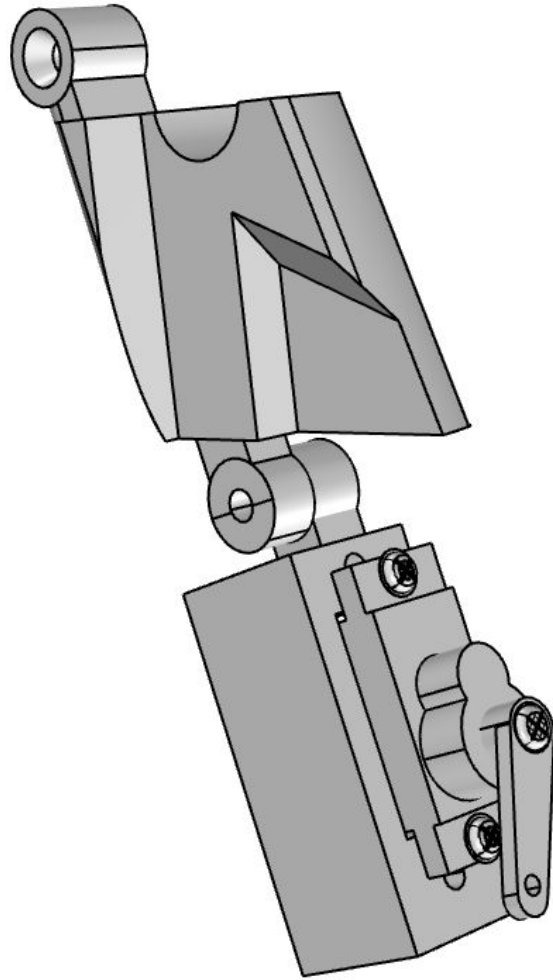
N°1 Breadboard 170 Point

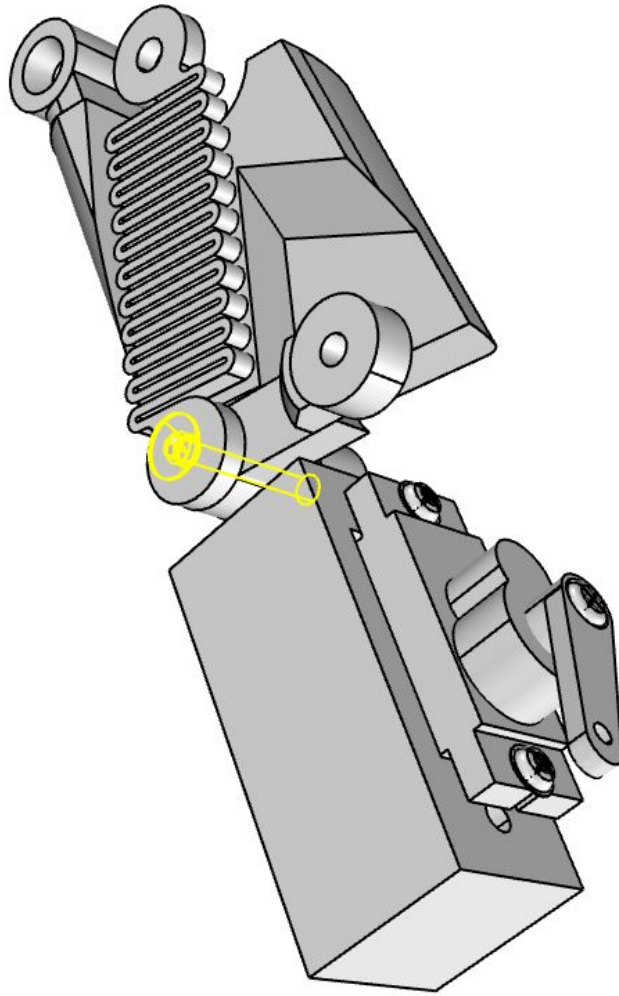
N°1 Jumpers Pack

During the Assembly don't screw the screws all the way down, let the pieces rotate (make sure that the pieces can rotate, but leave a slight friction).

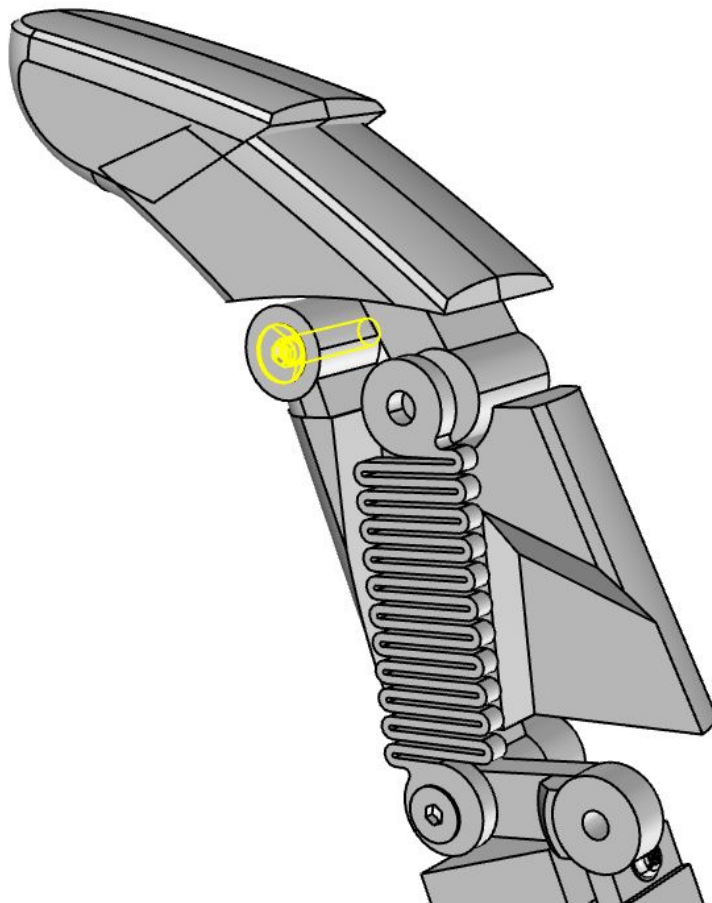


N°2 Screws included in the Servomotor

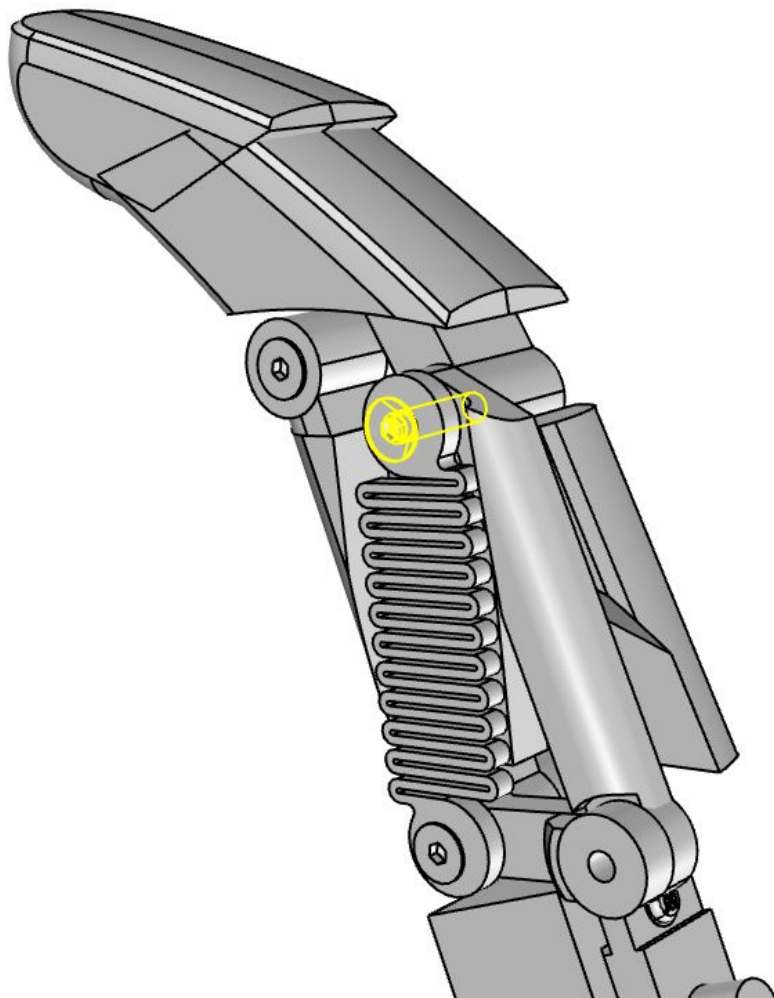
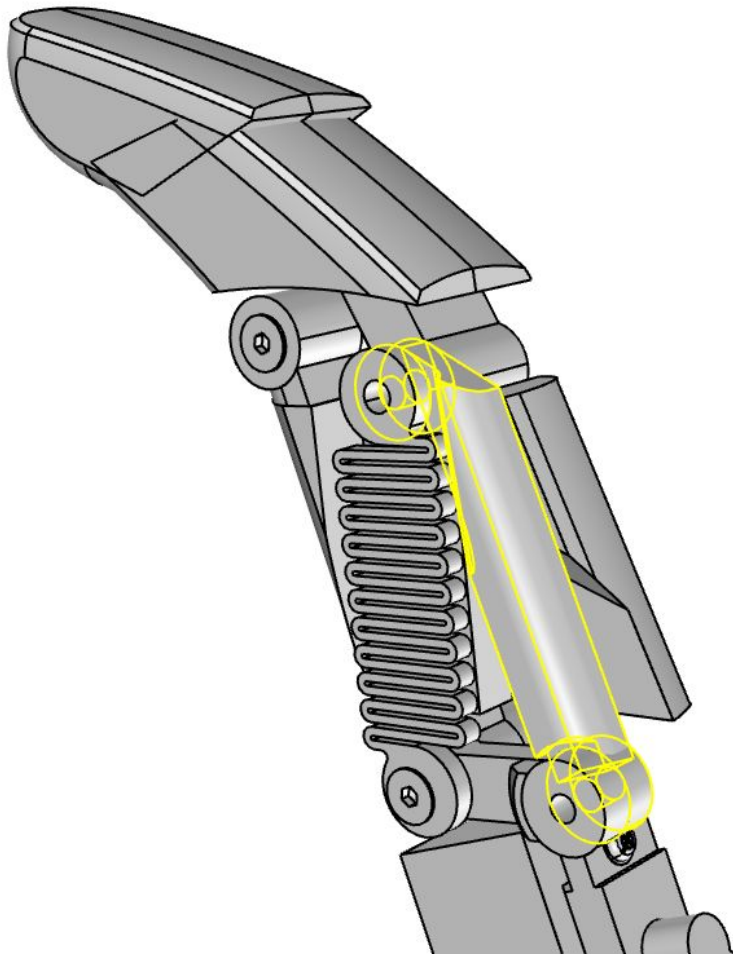




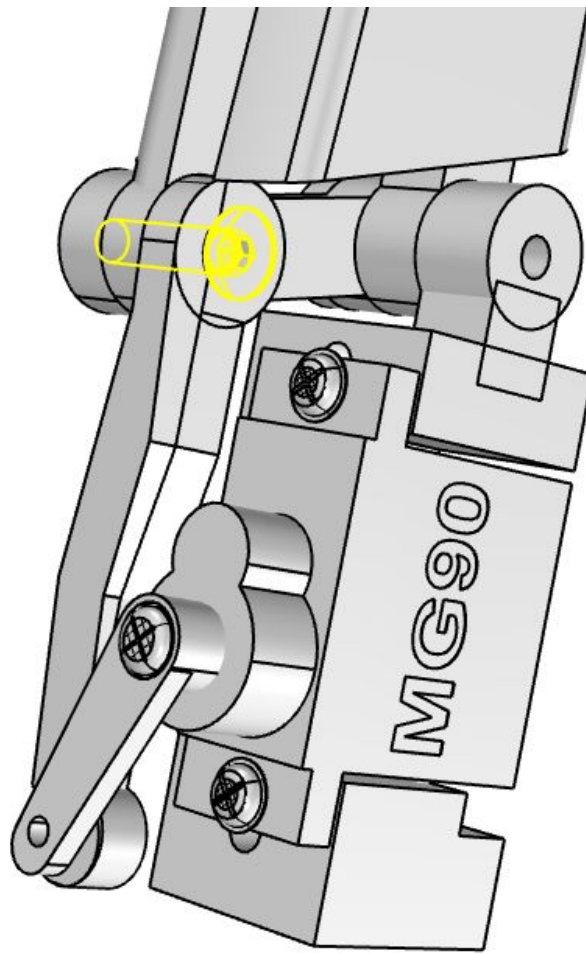
N°1 Screws M3x20



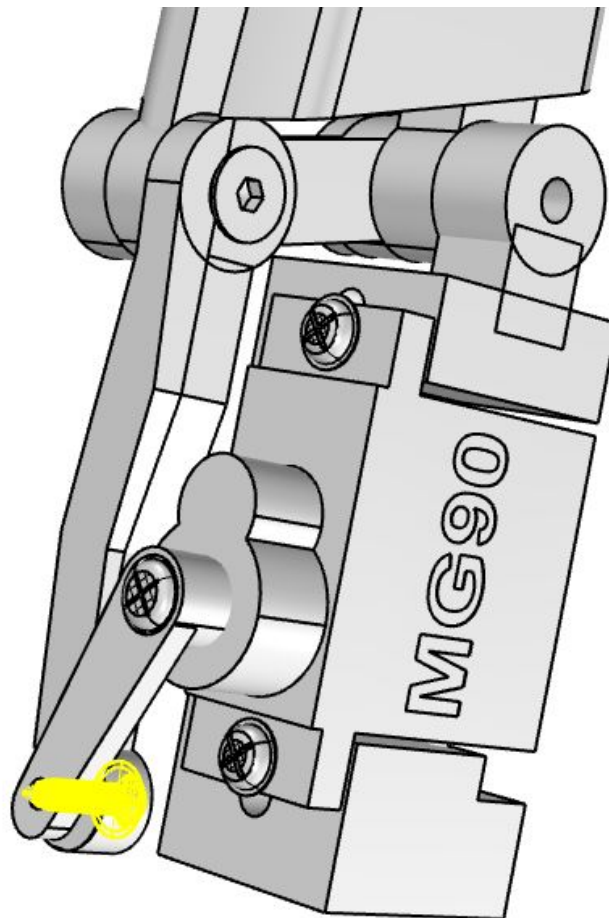
N°1 Screws M3x20



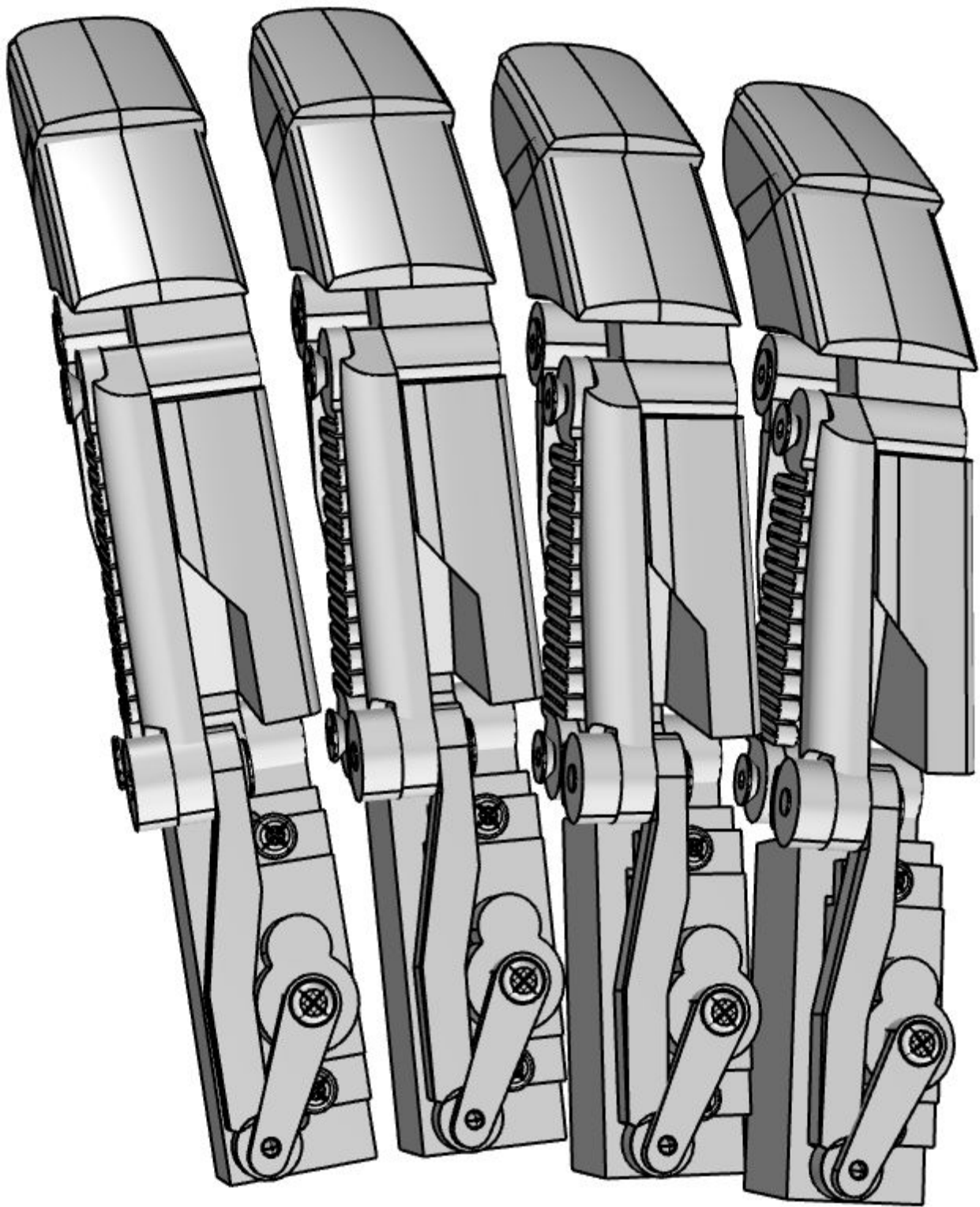
N°1 Screws M3x20



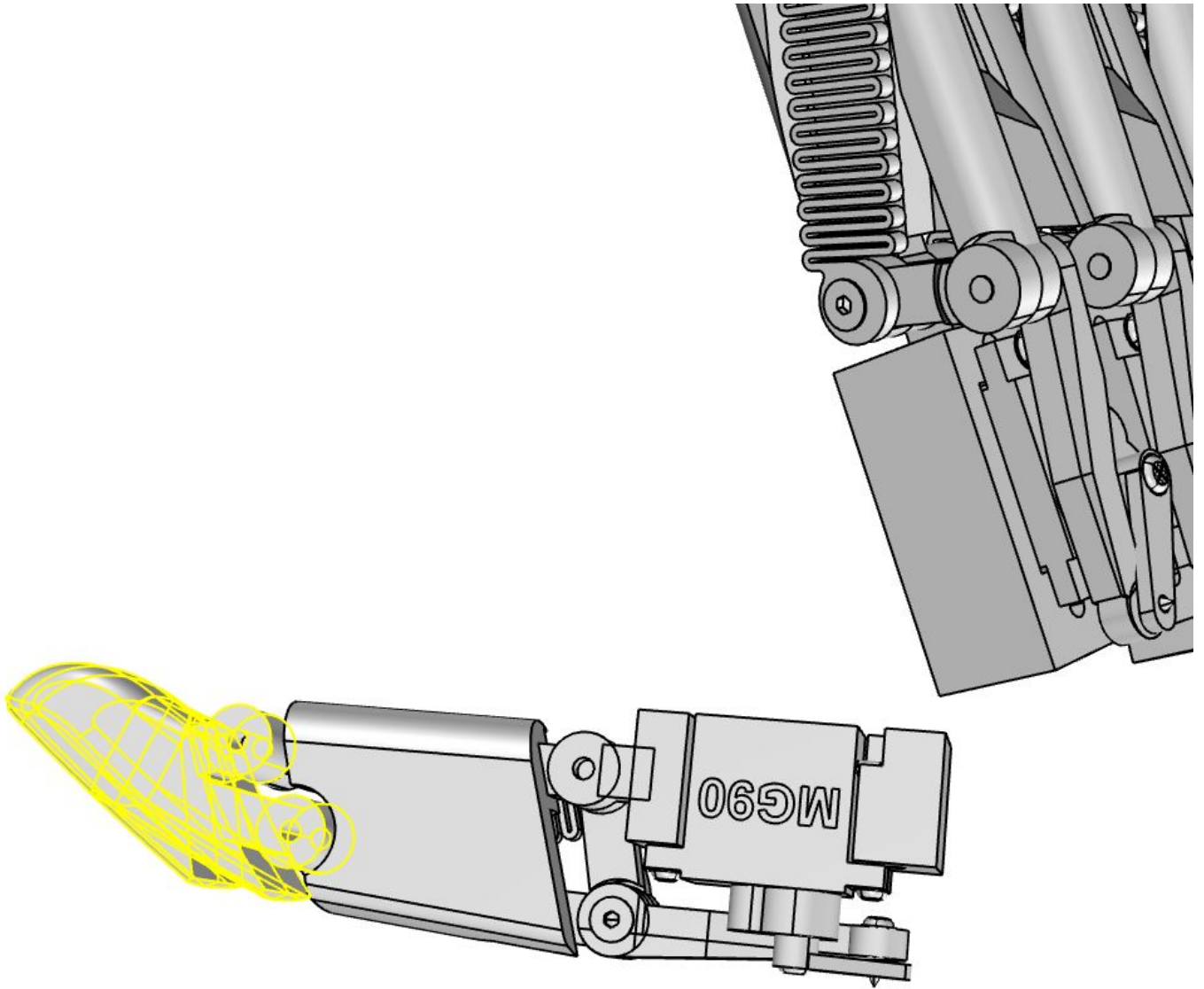
N°1 Screws M3x15



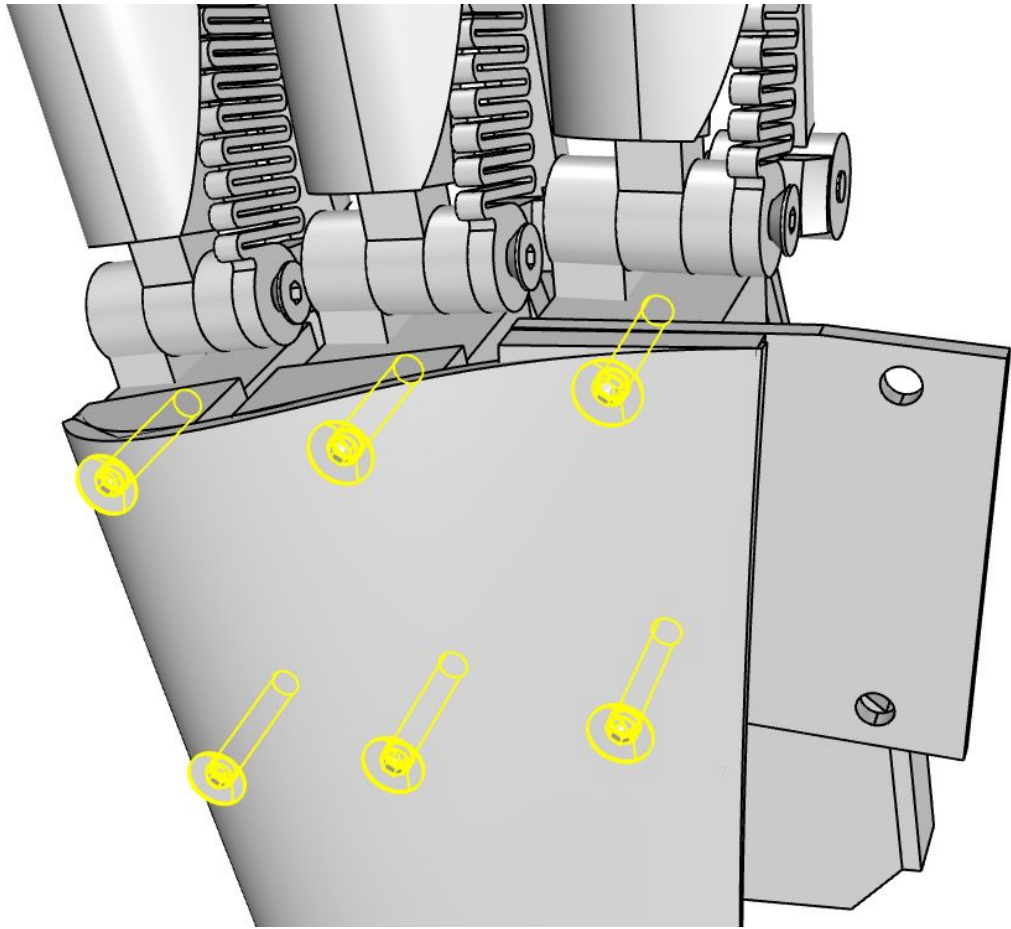
N°1 Screws M2x10



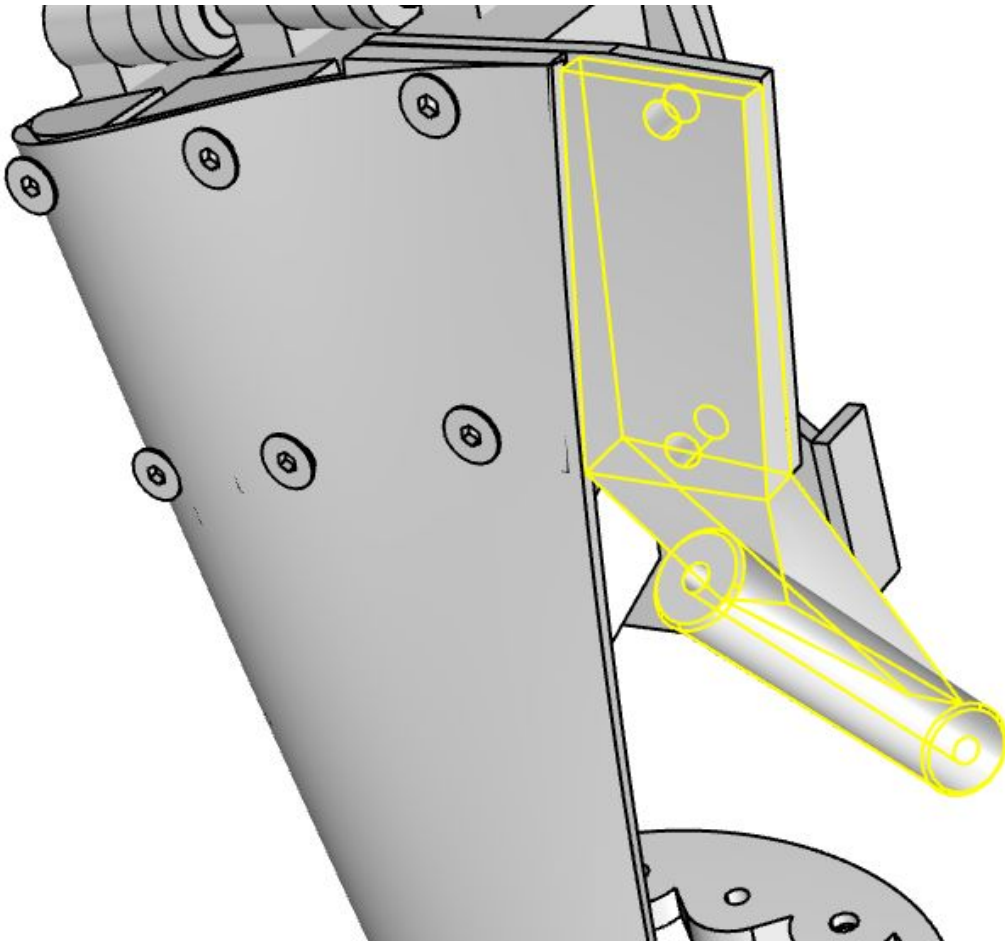
Repeat the same assembly for another 3 fingers

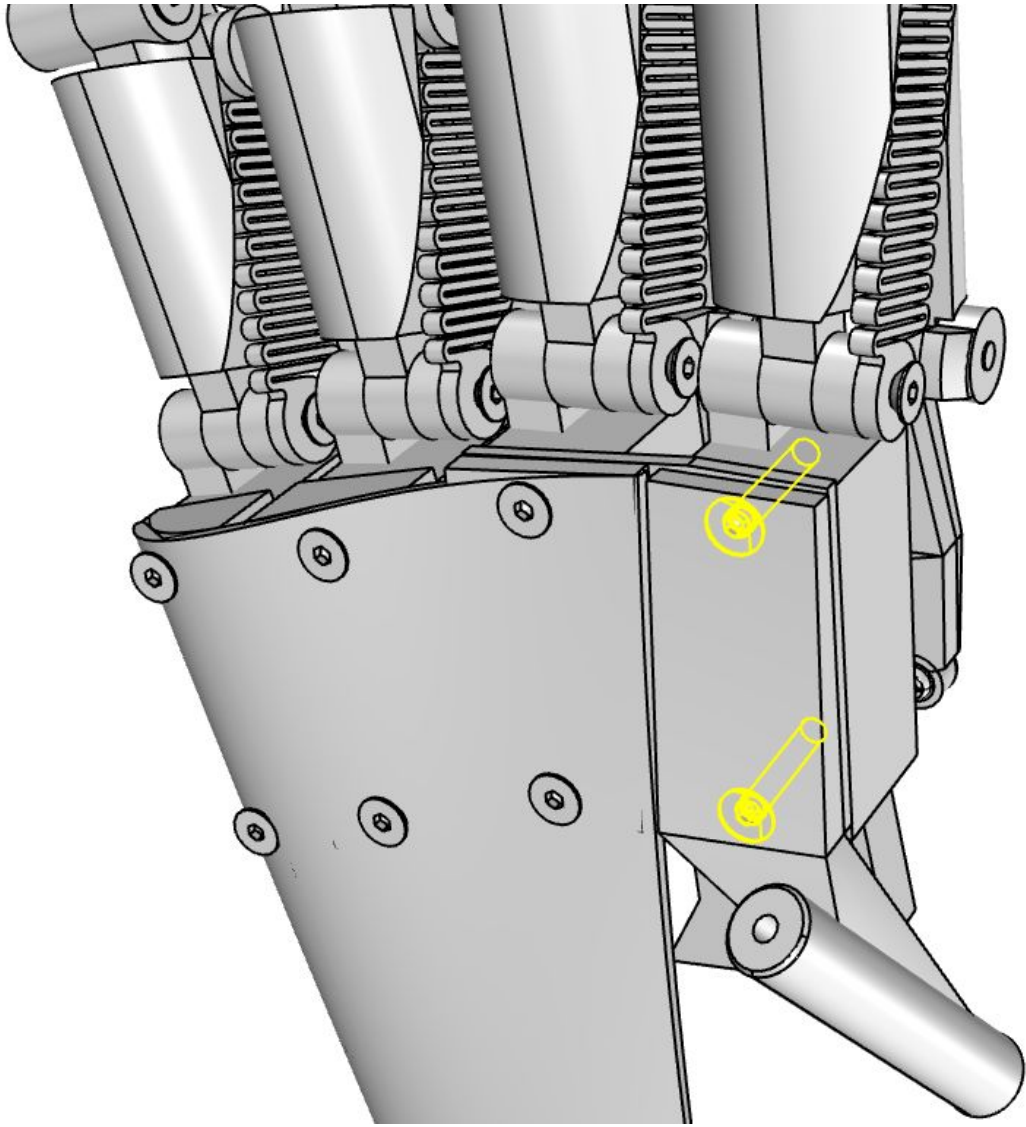


Repeat the same assembly for the thumb as well but remember to use the shorter terminal

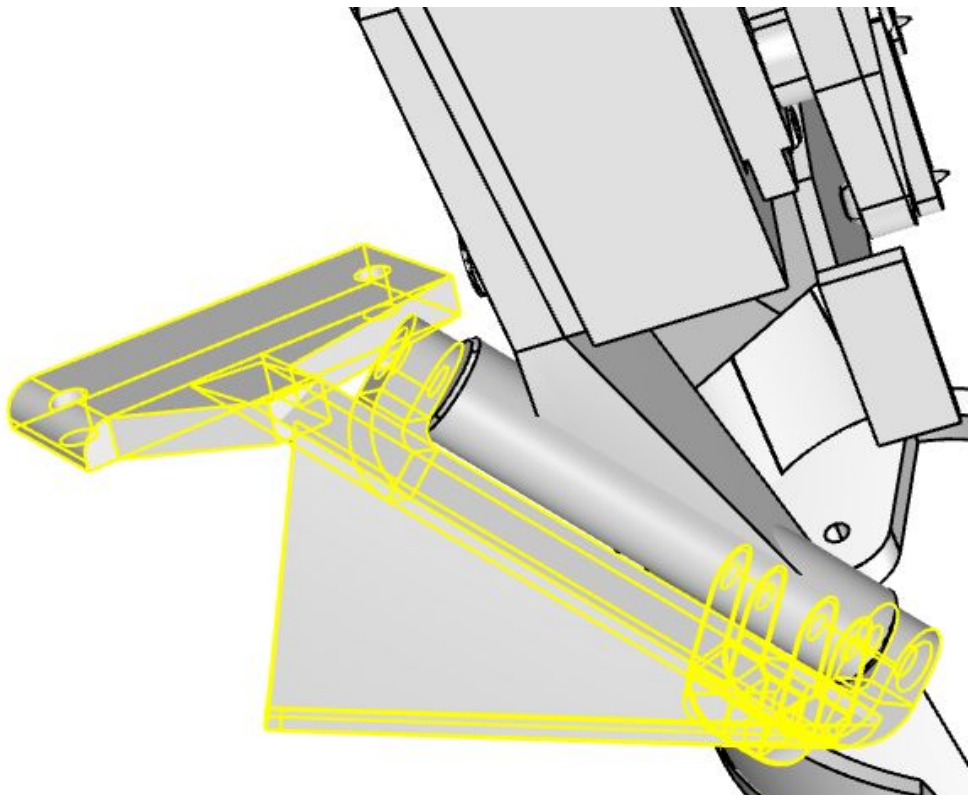


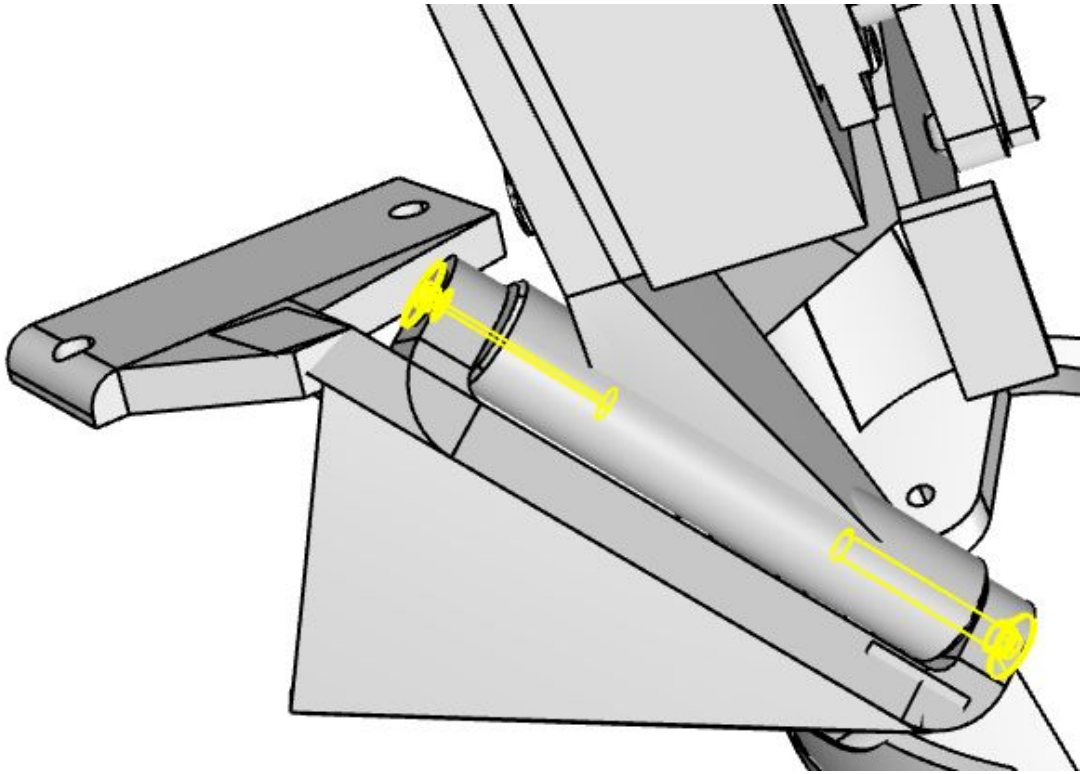
N°6 Screws M3x20



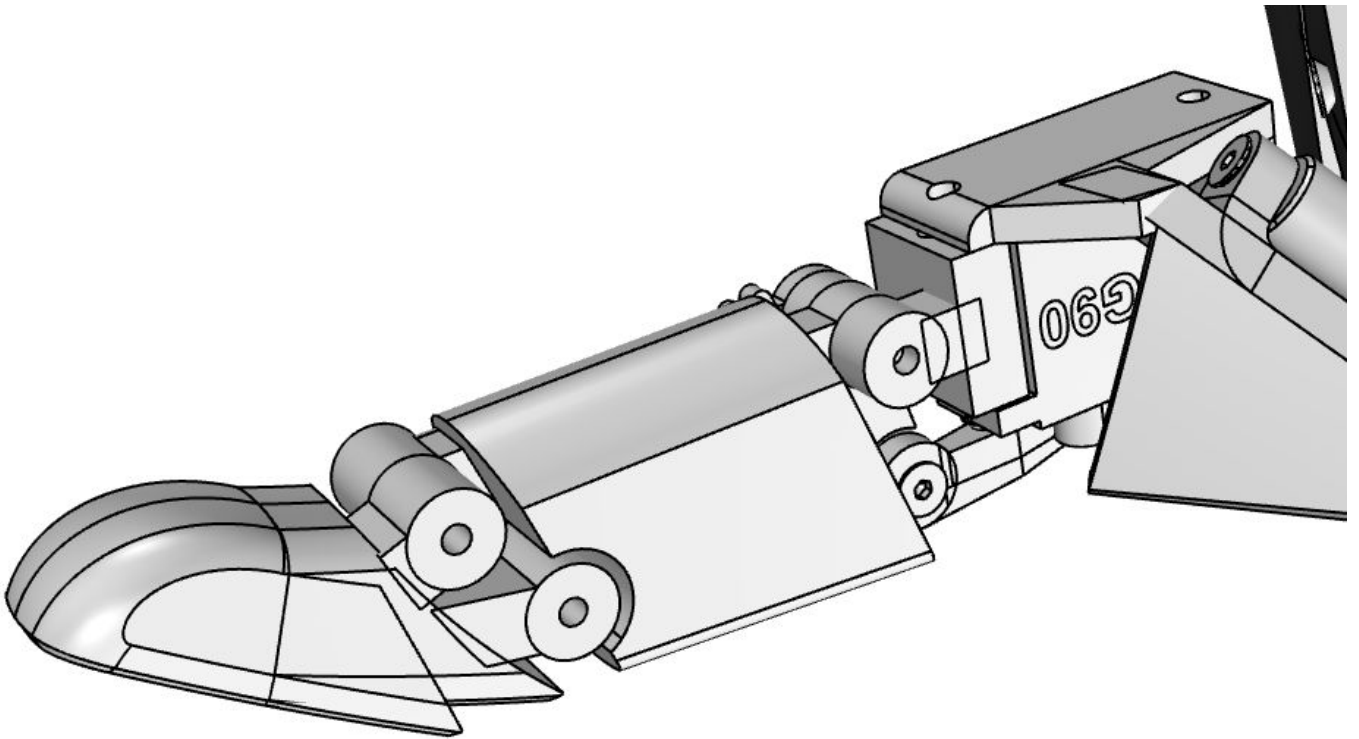


N°2 Screws M3x20

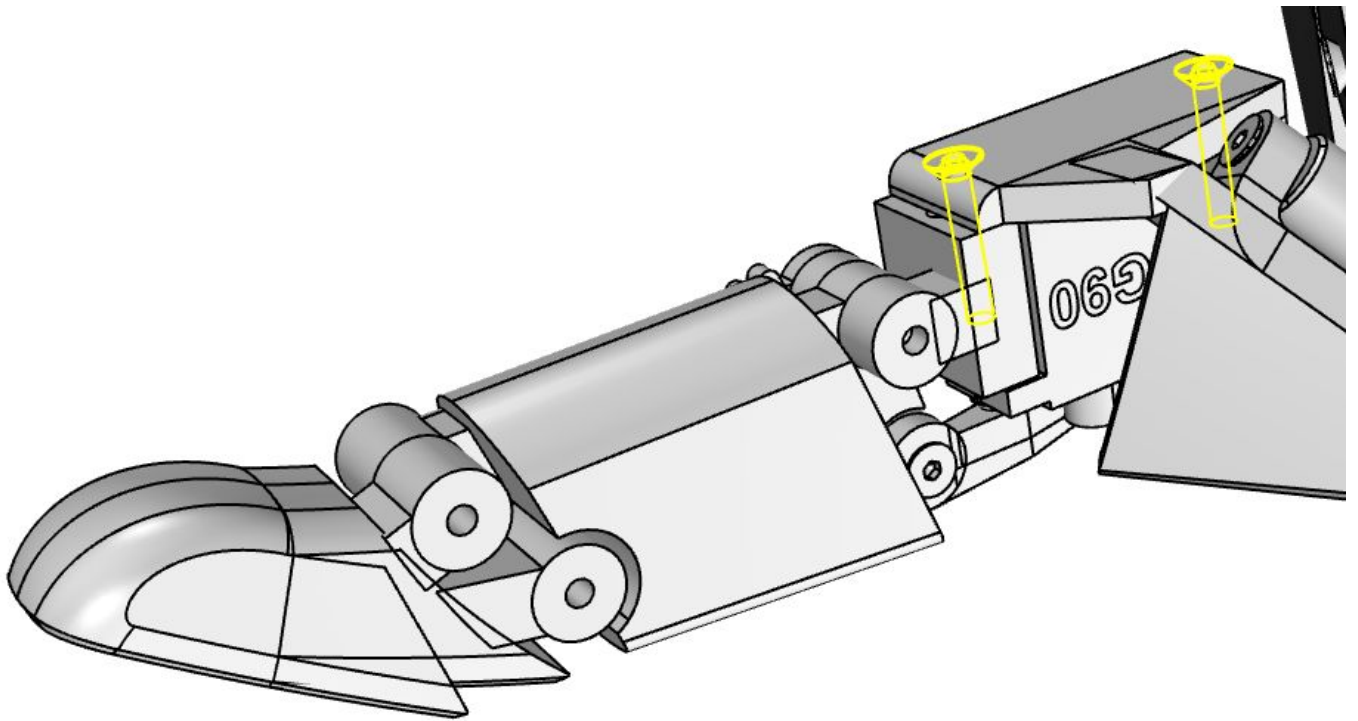




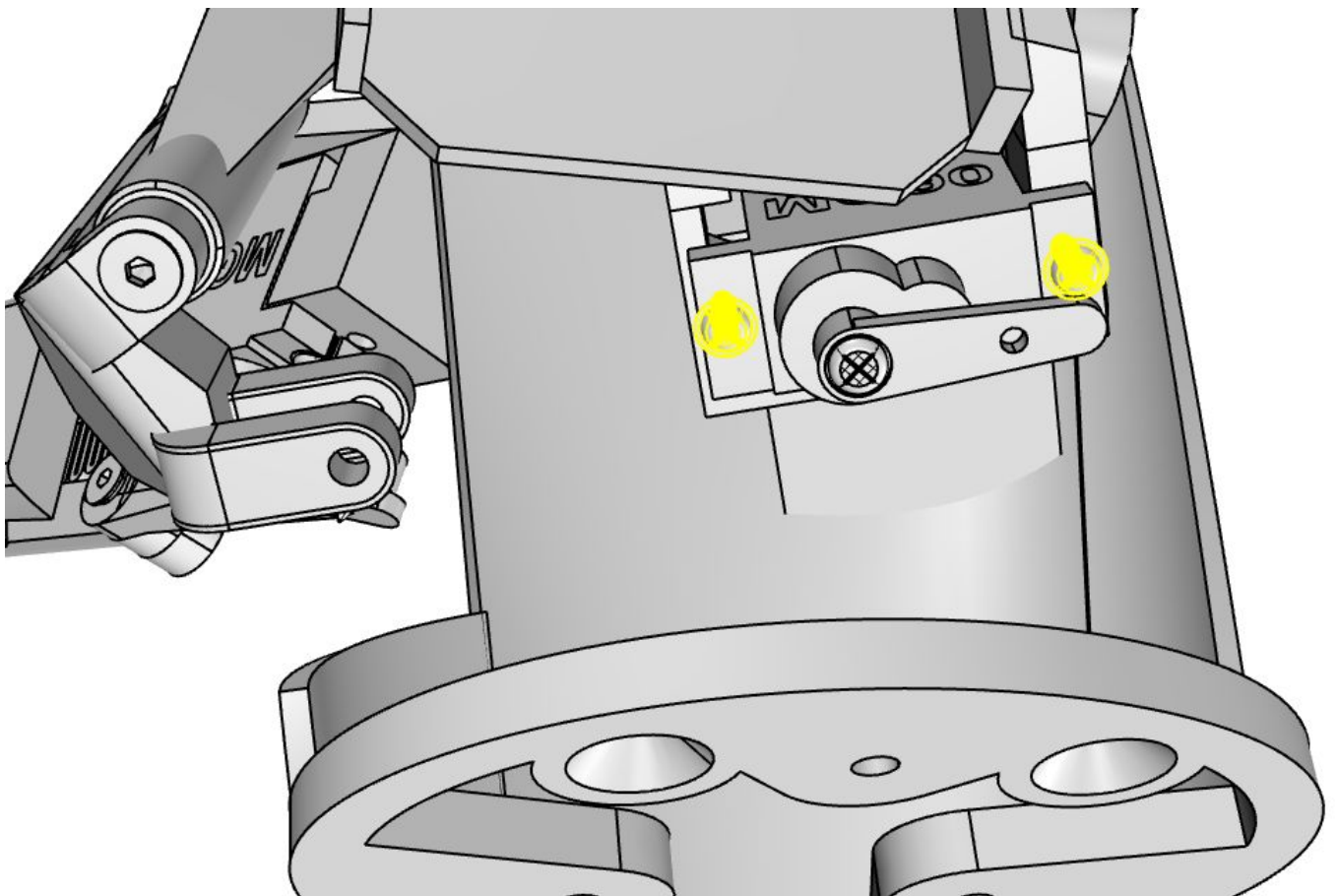
N°2 Screws M3x20



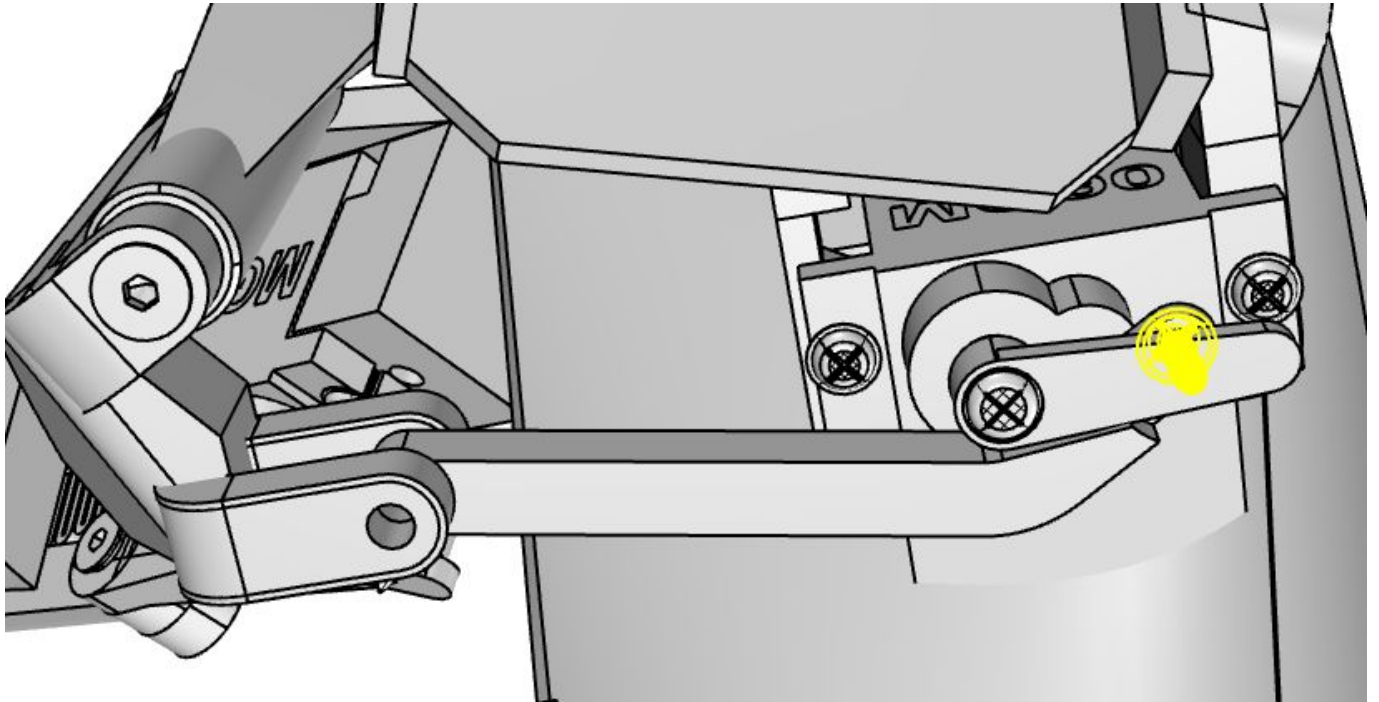
Place the thumb



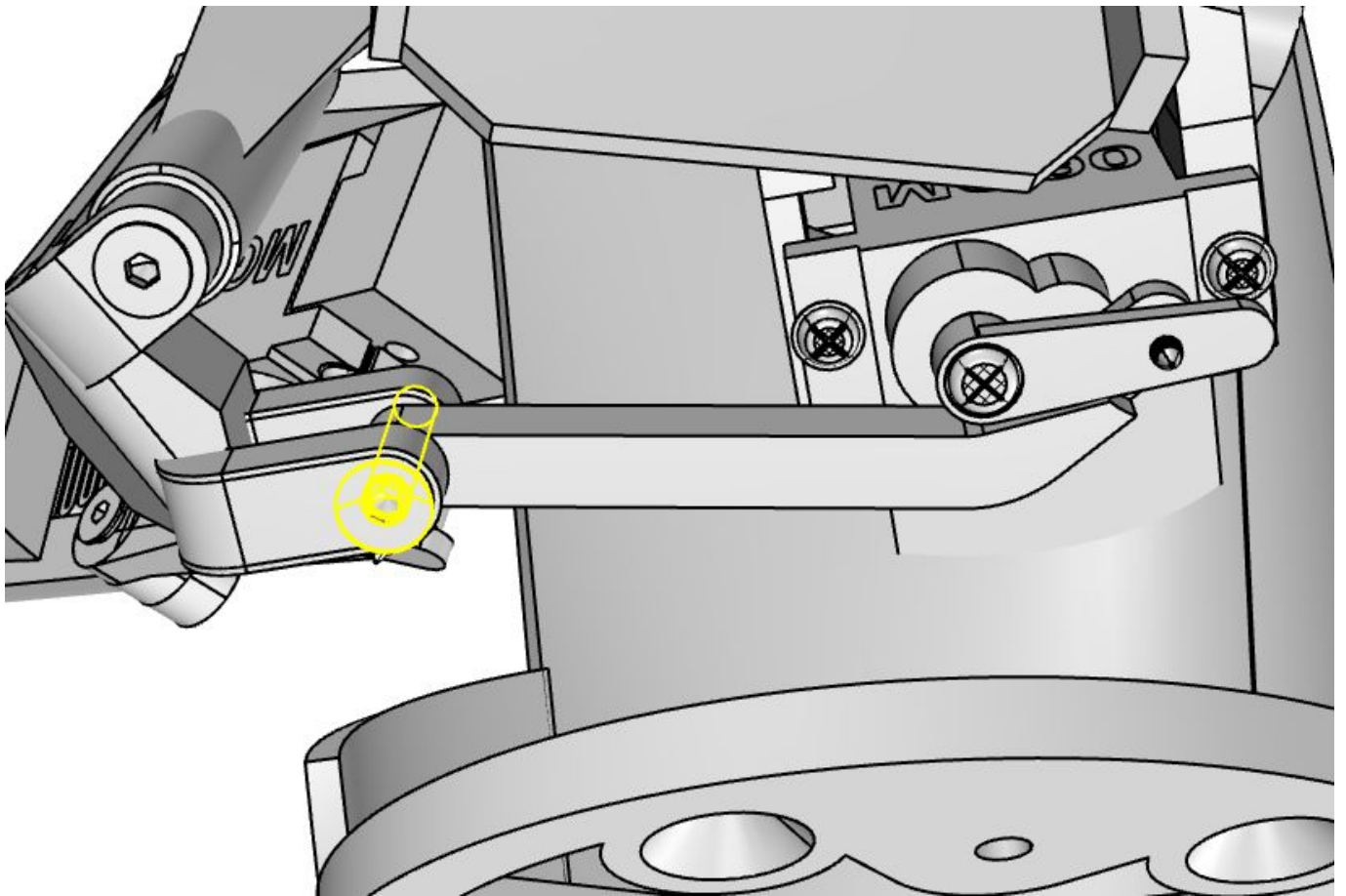
N°2 Screws M3x20



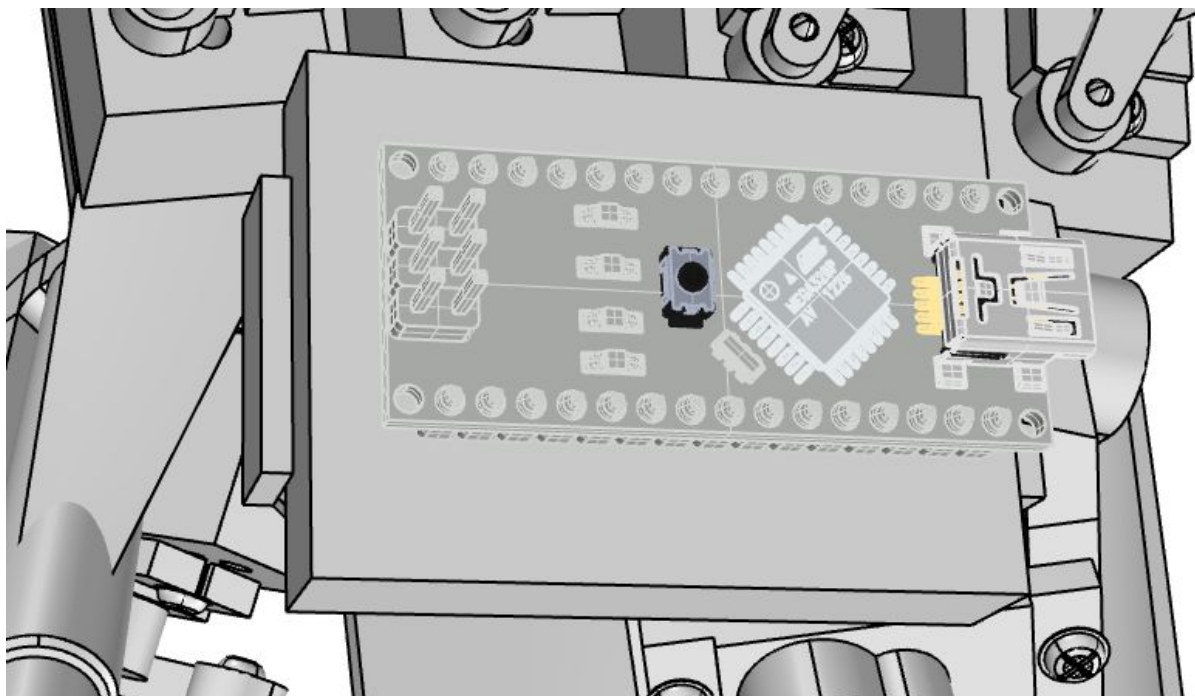
N°2 Screws included in the Servomotor



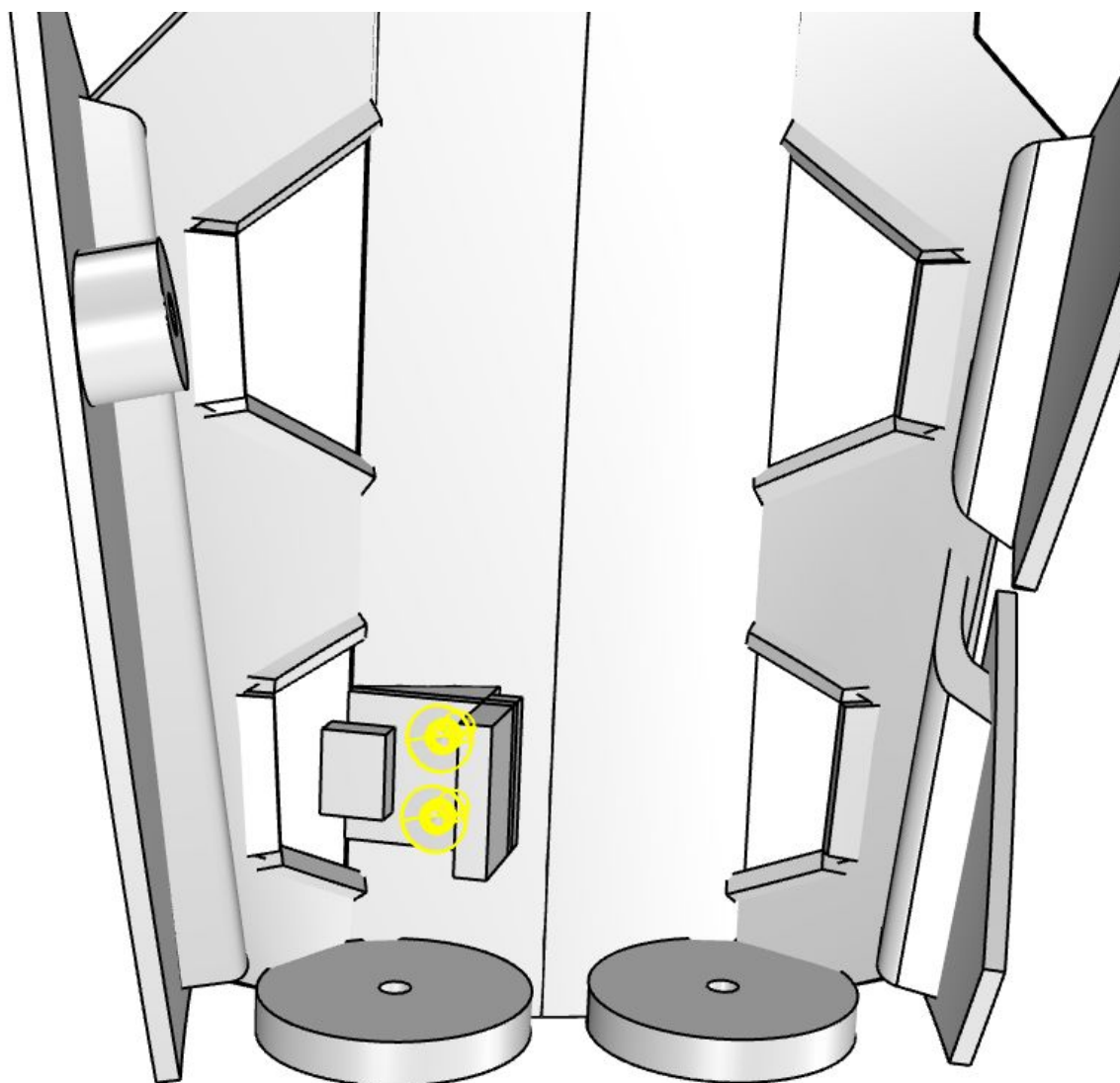
N°1 Screws M2x10



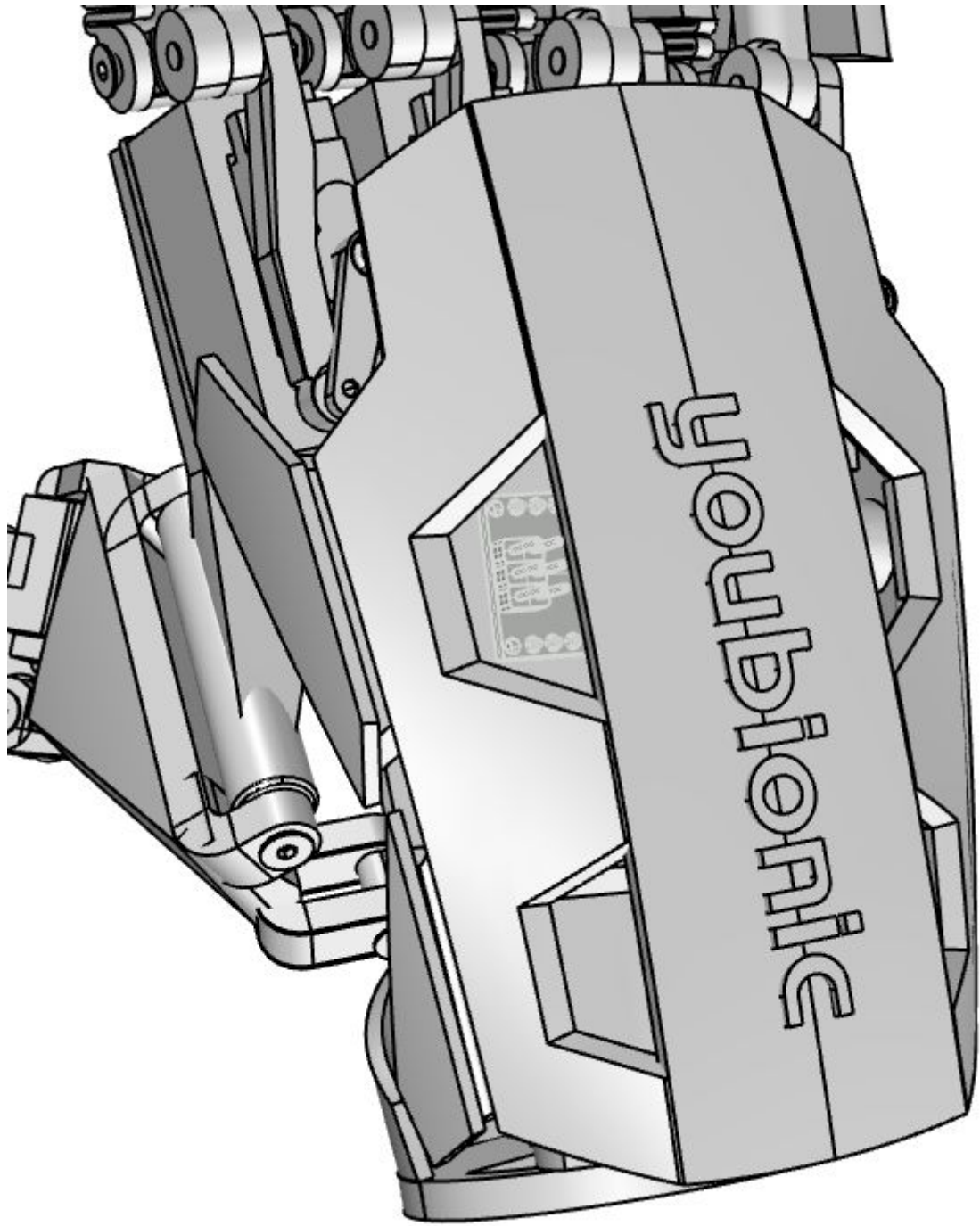
N°2 Screws M3x20



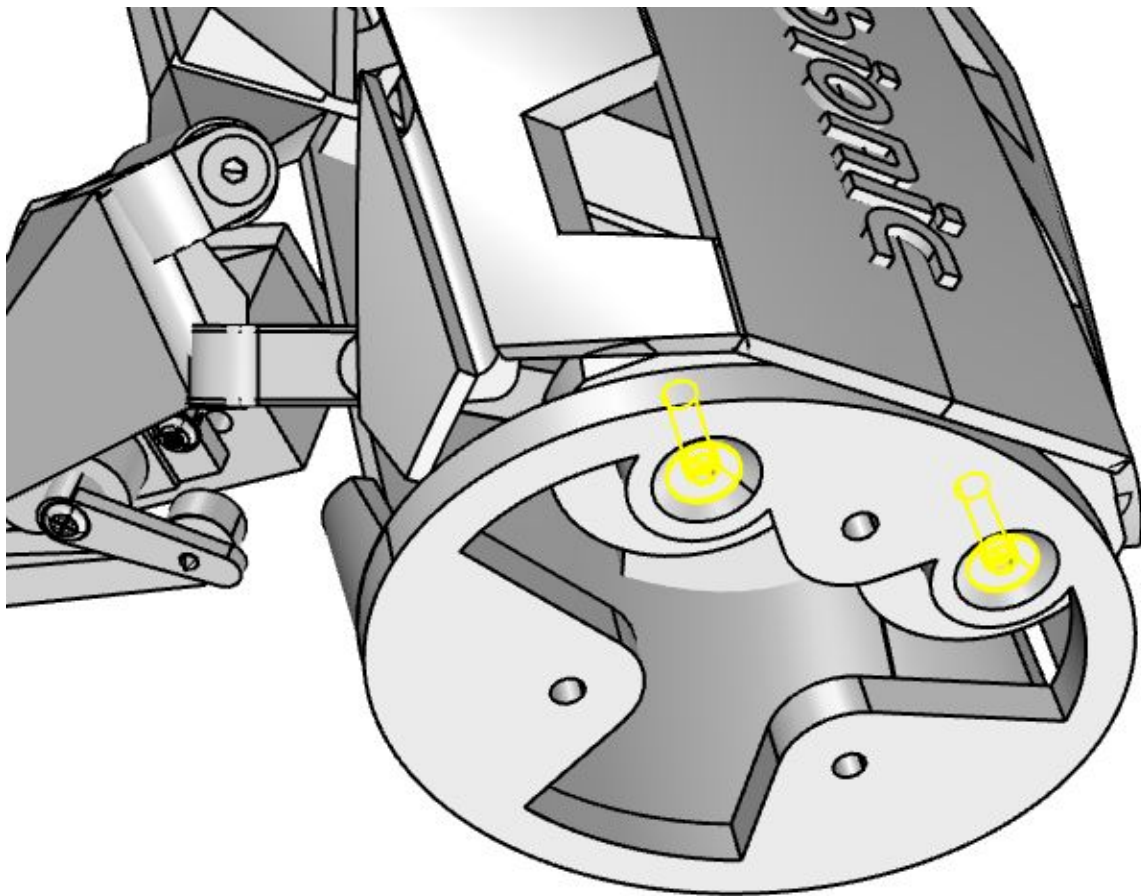
Place the Arduino



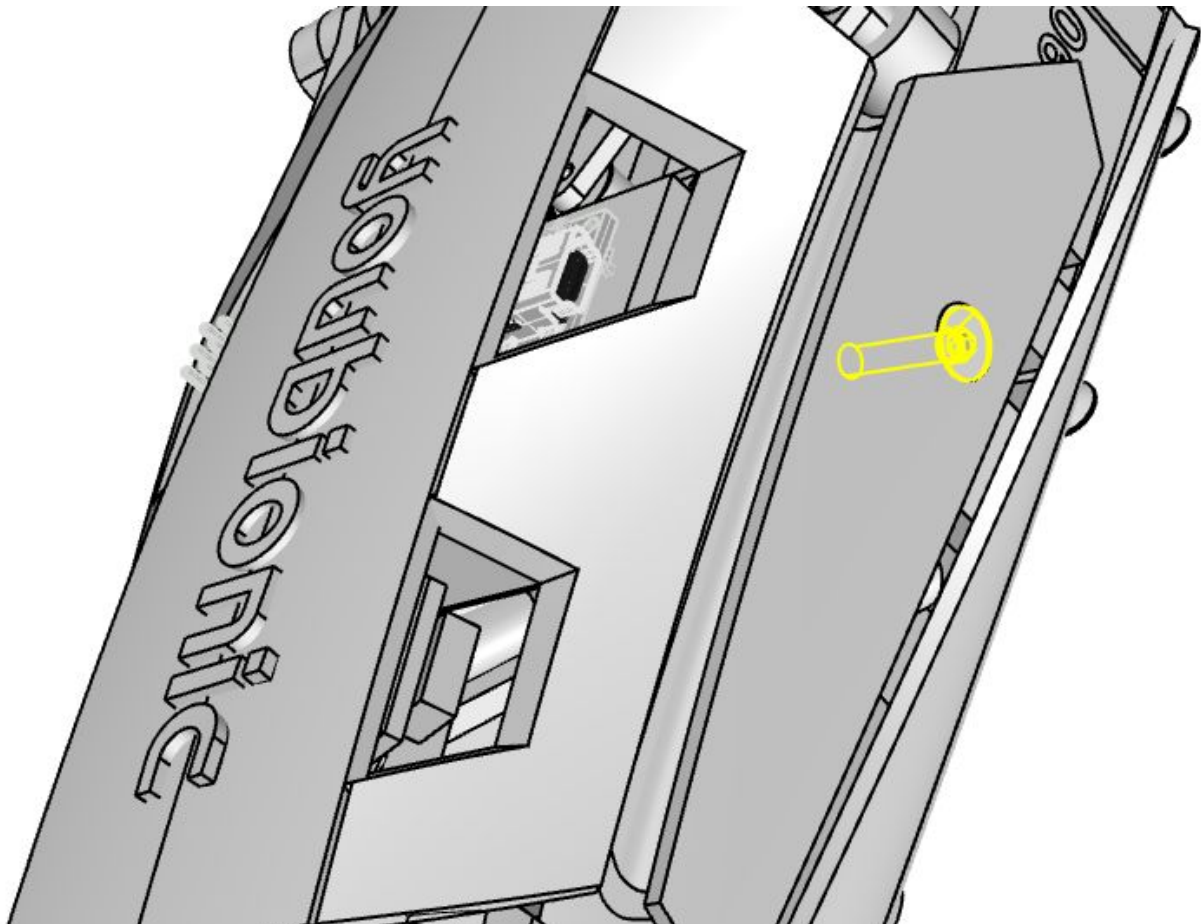
N°2 Screws M3x5



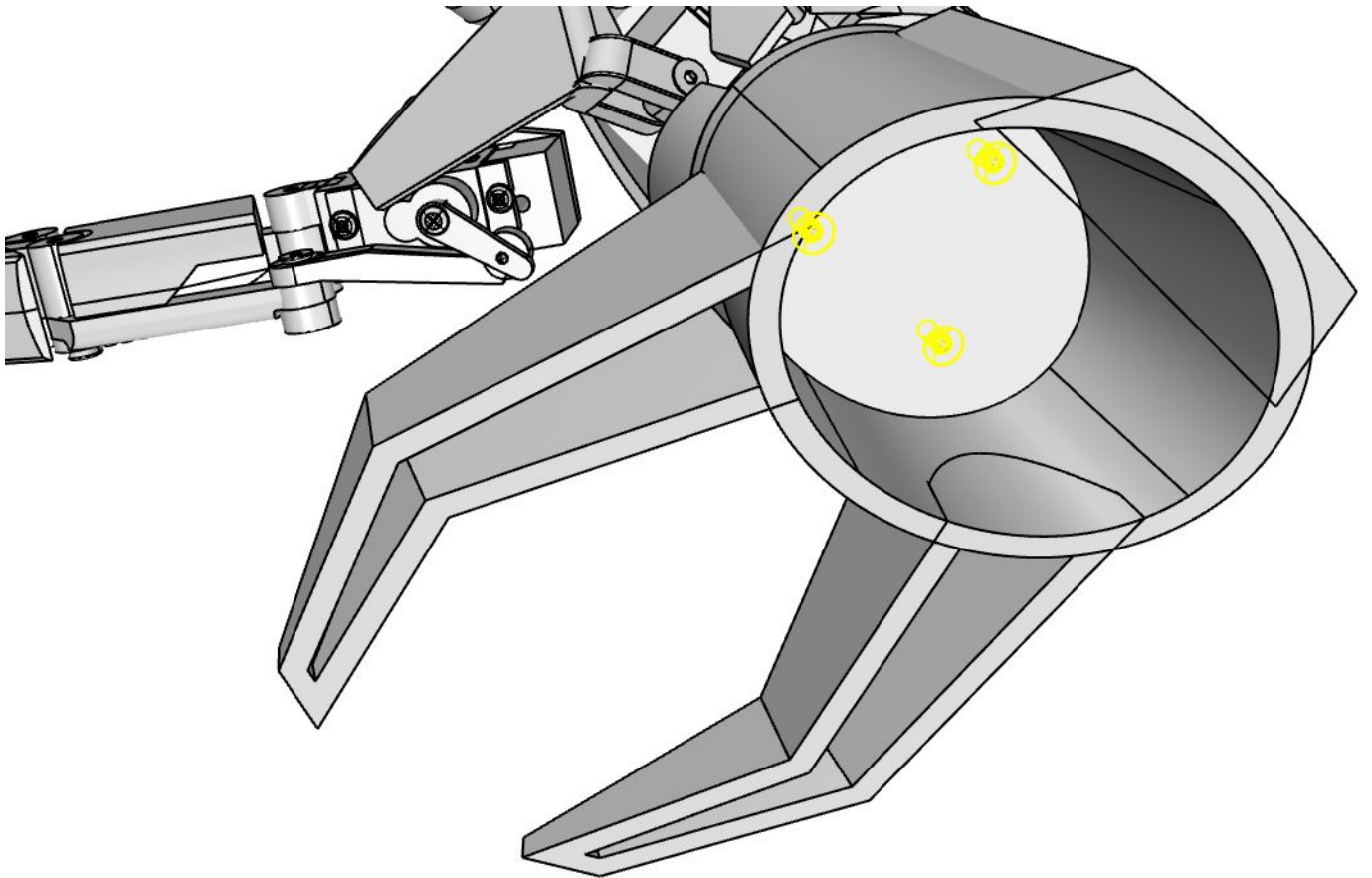
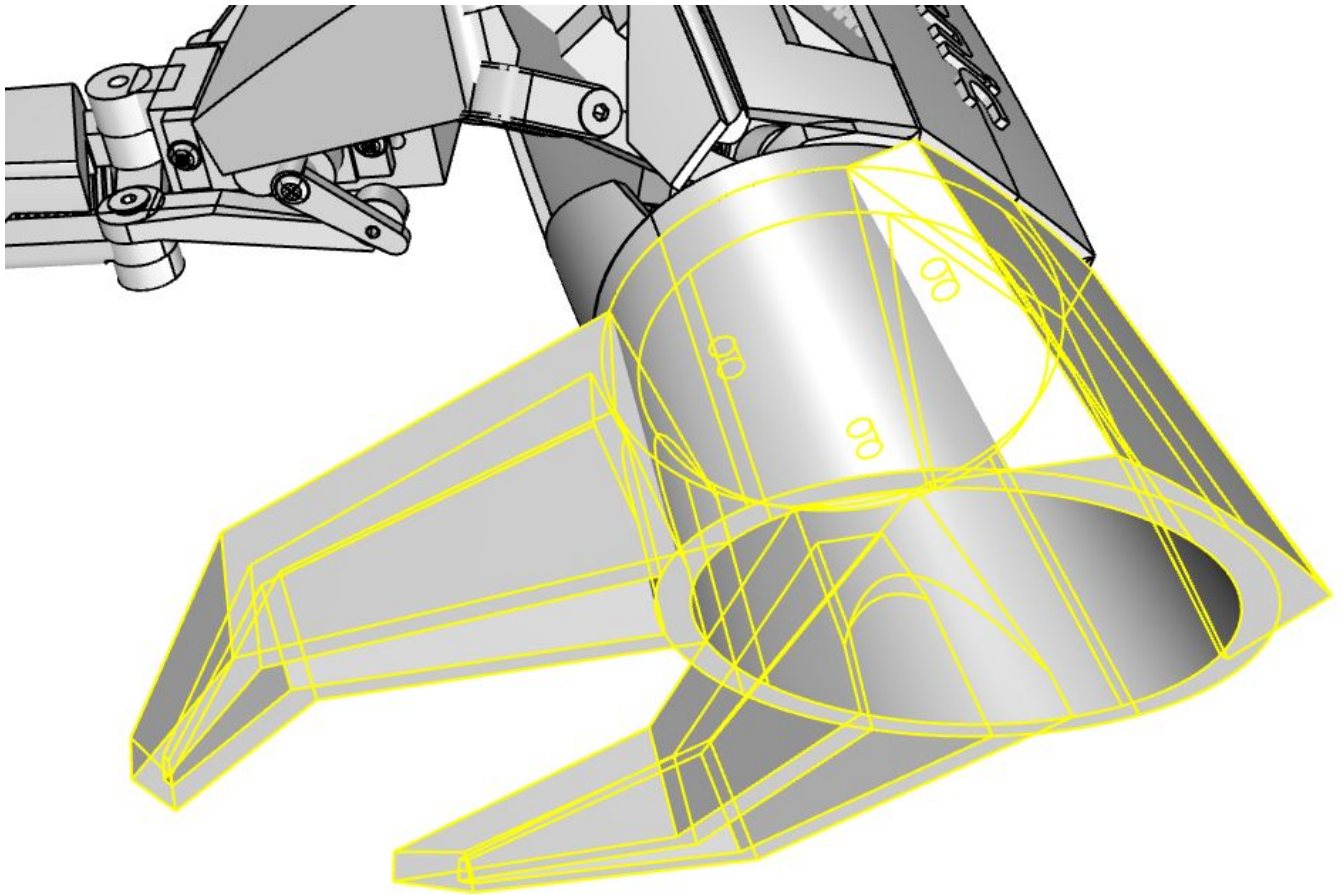
Place the Back



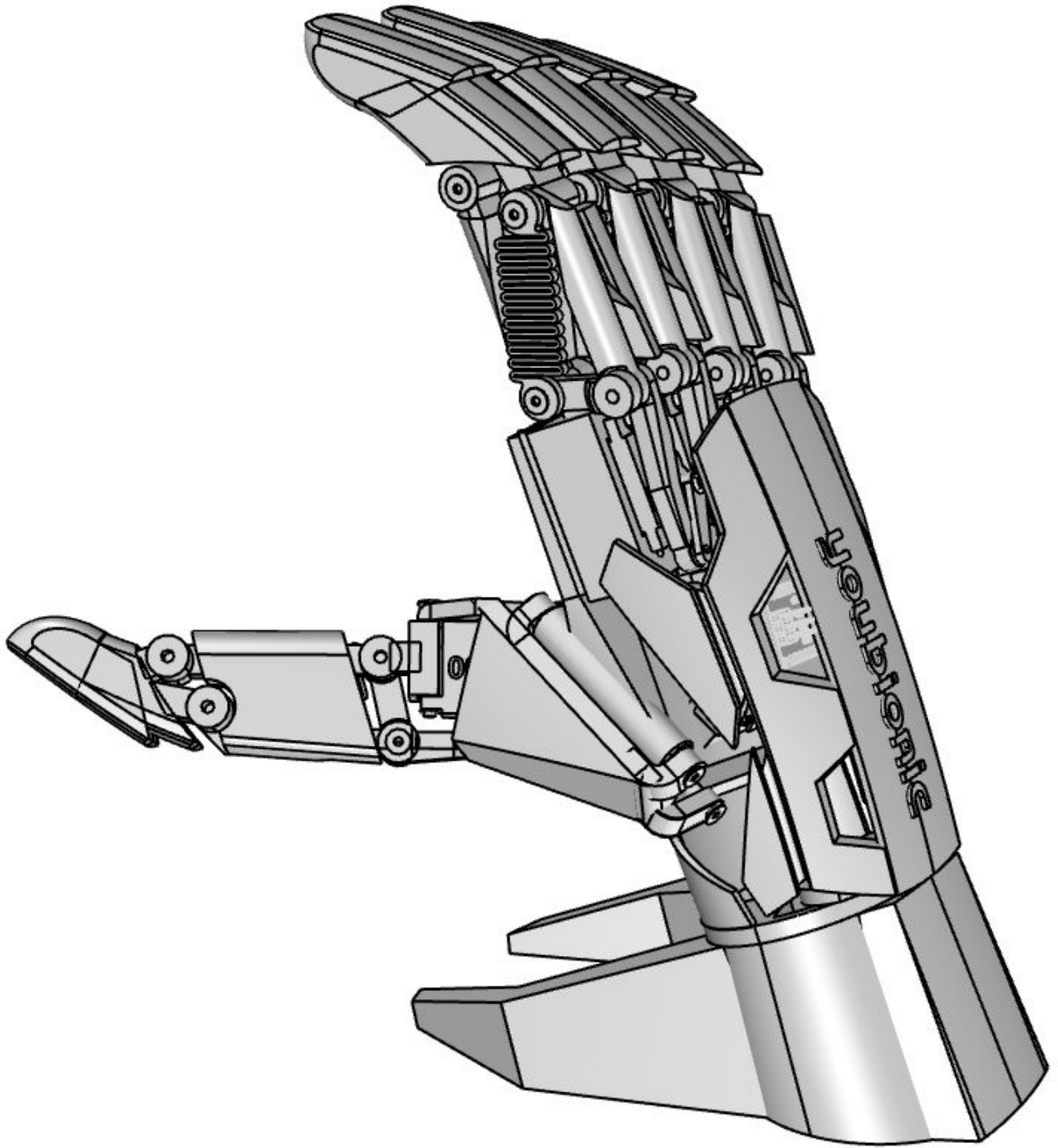
N°2 Screws M3x10



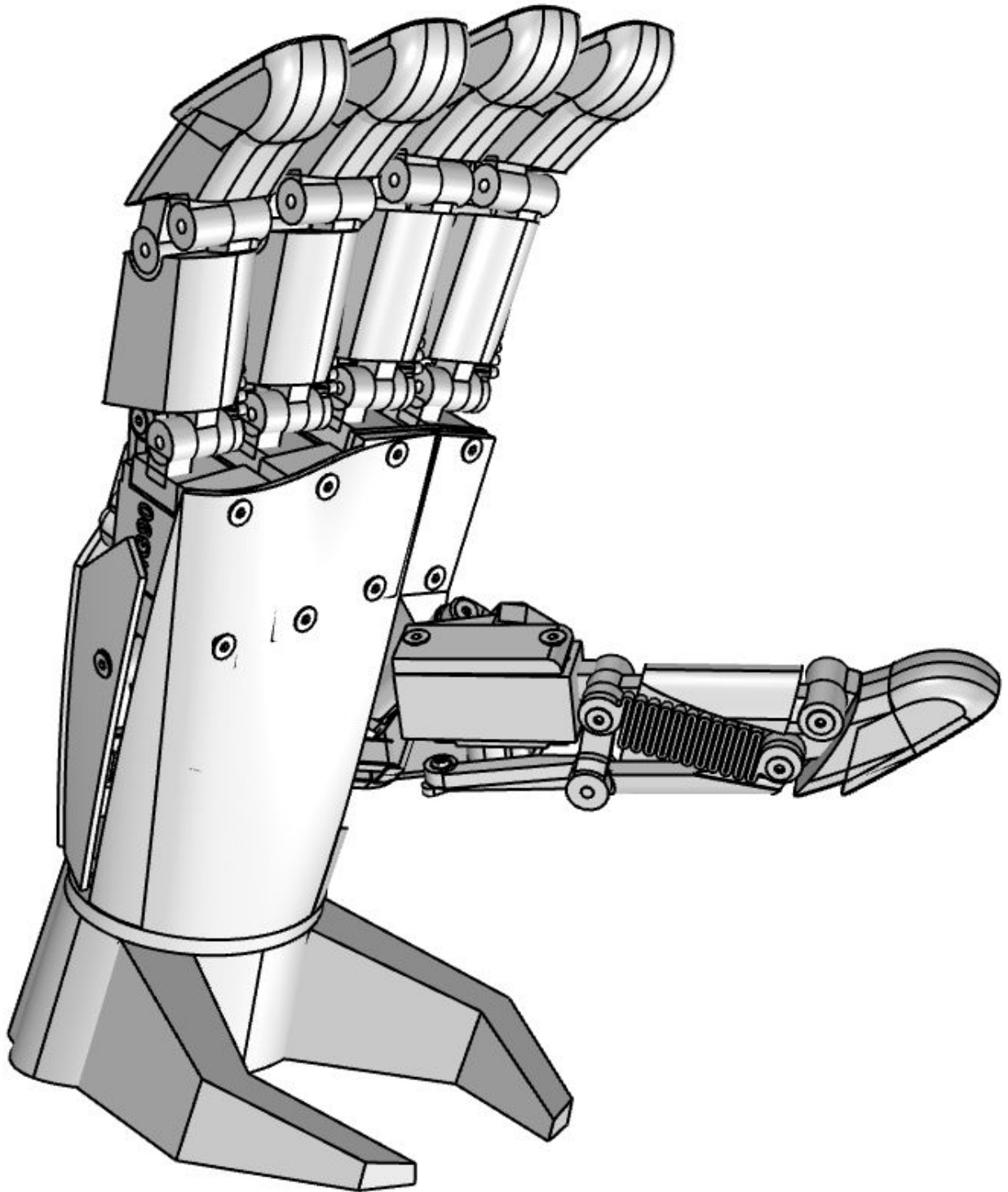
N°1 Screws M3x15



N°3 Screws M3x15



The Hand is complete



Enjoy..